



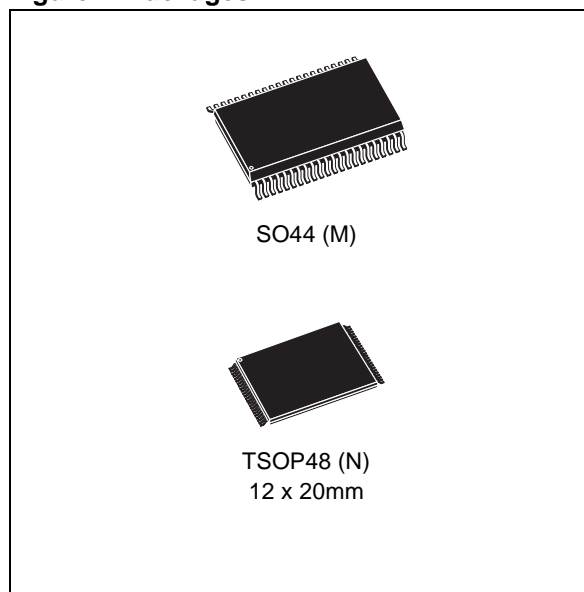
M59PW064

64 Mbit (4Mb x16, Uniform Block)
3V Supply LightFlash™ Memory

FEATURES SUMMARY

- MASK-ROM PIN-OUT COMPATIBLE
- SUPPLY VOLTAGE
 - V_{CC} = 2.7 to 3.6V for Read
 - V_{PP} = 11.4 to 12.6V for Program
- ACCESS TIME
 - 90ns at V_{CC} = 3.0 to 3.6V
 - 100, 110ns at V_{CC} = 2.7 to 3.6V
- PROGRAMMING TIME
 - 9 μ s per Word typical
 - Multiple Word Programming Option (8s typical Chip Program)
- SUITABLE FOR ON-BOARD PROGRAMMING
- ERASE TIME
 - 41s typical Chip Erase
- UNIFORM BLOCKS
 - 32 blocks of 2 Mbits
- PROGRAM/ERASE CONTROLLER
 - Embedded Word Program algorithms
- 10,000 PROGRAM/ERASE CYCLES per BLOCK
- ELECTRONIC SIGNATURE
 - Manufacturer Code: 0020h
 - Device Code : 88AAh

Figure 1. Packages



M59PW064**TABLE OF CONTENTS**

FEATURES SUMMARY	1
Figure 1. Packages.....	1
SUMMARY DESCRIPTION	4
Figure 2. Logic Diagram	4
Table 1. Signal Names	4
Figure 3. SO Connections.....	5
Figure 4. TSOP Connections	5
Table 2. Block Addresses	6
SIGNAL DESCRIPTIONS	7
Address Inputs (A0-A21).....	7
Data Inputs/Outputs (DQ0-DQ7).....	7
Data Inputs/Outputs (DQ8-DQ15).....	7
Chip Enable (\bar{E}).....	7
Output Enable (\bar{G}).....	7
V _{CC} Supply Voltage.....	7
V _{PP} Program Supply Voltage	7
V _{SS} Ground.....	7
BUS OPERATIONS	8
Bus Read.....	8
Bus Write.....	8
Output Disable.....	8
Standby.....	8
Automatic Standby.....	8
Electronic Signature.....	8
Table 3. Bus Operations	8
COMMAND INTERFACE	9
Read/Reset Command	9
Auto Select Command	9
Word Program Command	9
Multiple Word Program Command	9
Setup Phase.....	9
Program Phase.....	9
Verify Phase.....	10
Exit Phase.....	10
Block Erase Command	10
Chip Erase Command	10
Table 4. Standard Commands.....	11
Table 5. Multiple Word Program Command	11
Table 6. Program, Erase Times and Program, Erase Endurance Cycles	11

Figure 5. Multiple Word Program Flowchart	12
STATUS REGISTER	13
Data Polling Bit (DQ7)	13
Toggle Bit (DQ6)	13
Error Bit (DQ5)	13
V _{PP} Status Bit (DQ4)	13
Erase Timer Bit (DQ3)	13
Alternative Toggle Bit (DQ2)	13
Multiple Word Program Bit (DQ0)	13
Status Register Bit DQ1 is reserved	13
Table 7. Status Register Bits	14
Figure 6. Data Polling Flowchart	14
Figure 7. Data Toggle Flowchart	14
MAXIMUM RATING	15
Table 8. Absolute Maximum Ratings	15
DC and AC PARAMETERS	16
Table 9. Operating and AC Measurement Conditions	16
Figure 8. AC Measurement I/O Waveform	16
Figure 9. AC Measurement Load Circuit	16
Table 10. DC Characteristics	17
Figure 10. Read AC Waveforms	18
Table 11. Read AC Characteristics	18
Figure 11. Write AC Waveforms, Chip Enable Controlled	19
Table 12. Chip Enable Controlled, Write AC Characteristics	19
PACKAGE MECHANICAL	20
Figure 12. SO44 - 44 lead Plastic Small Outline, 500 mils body width, Package Outline	20
Table 13. SO44 - 44 lead Plastic Small Outline, 500 mils body width, Package Mechanical Data	20
Figure 13. TSOP48 - 48 lead Plastic Thin Small Outline, 12x20mm, Package Outline	21
Table 14. TSOP48 - 48 lead Plastic Thin Small Outline, 12x20mm, Package Mechanical Data	21
PART NUMBERING	22
Table 15. Ordering Information Scheme	22
REVISION HISTORY	23
Table 16. Document Revision History	23

M59PW064

SUMMARY DESCRIPTION

The M59PW064 is a 64Mbit (4Mbx16), Mask-ROM pin-out compatible, non-volatile LightFlash memory, that can be read, erased and reprogrammed. Read operations can be performed using a single low voltage (2.7 to 3.6V) supply. Program and Erase operations require an additional V_{PP} (11.4 to 12.6V) power supply. On power-up the memory defaults to its Read mode where it can be read in the same way as a ROM or EPROM.

The memory is divided into 32 uniform blocks that can be erased independently so it is possible to preserve valid data while old data is erased (see [Table 2., Block Addresses](#)). Program and Erase commands are written to the Command Interface of the memory. An on-chip Program/Erase Controller (P/E.C.) simplifies the process of programming or erasing the memory by taking care of all of the special operations that are required to update the memory contents.

The M59PW064 features an innovative command, Multiple Word Program, that is used to program large streams of data. It greatly reduces the total programming time when a large number of Words are written to the memory at any one time. Using this command the entire memory can be programmed in 8s, compared to 36s using the standard Word Program.

The end of a program or erase operation can be detected and any error conditions identified. The command set required to control the memory is consistent with JEDEC standards.

Chip Enable and Output Enable signals control the bus operation of the memory. They allow simple connection to most microprocessors, often without additional logic.

The memory is offered in SO44 and TSOP48 (12 x 20mm) packages. The memory is supplied with all the bits set to '1').

Figure 2. Logic Diagram

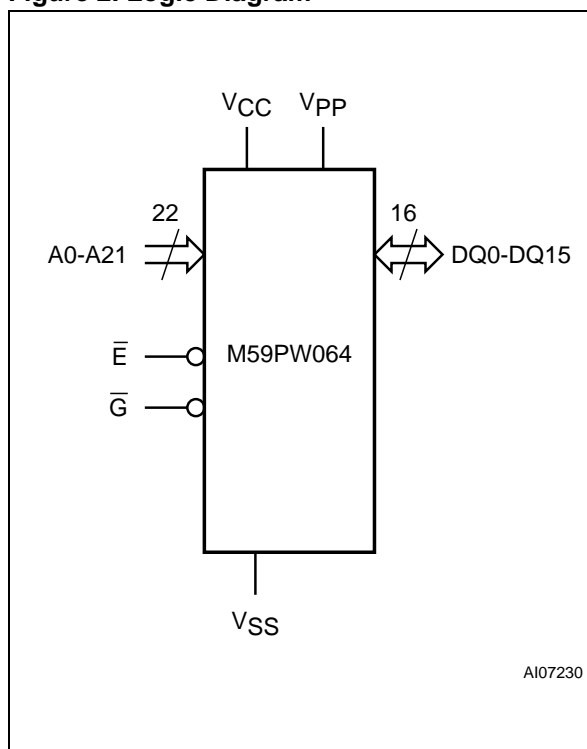


Table 1. Signal Names

A0-A21	Address Inputs
DQ0-DQ15	Data Inputs/Outputs
\bar{E}	Chip Enable
\bar{G}	Output Enable
V_{CC}	Supply Voltage read
V_{PP}	Supply Voltage program erase
V_{SS}	Ground
NC	Not Connected Internally

Figure 3. SO Connections

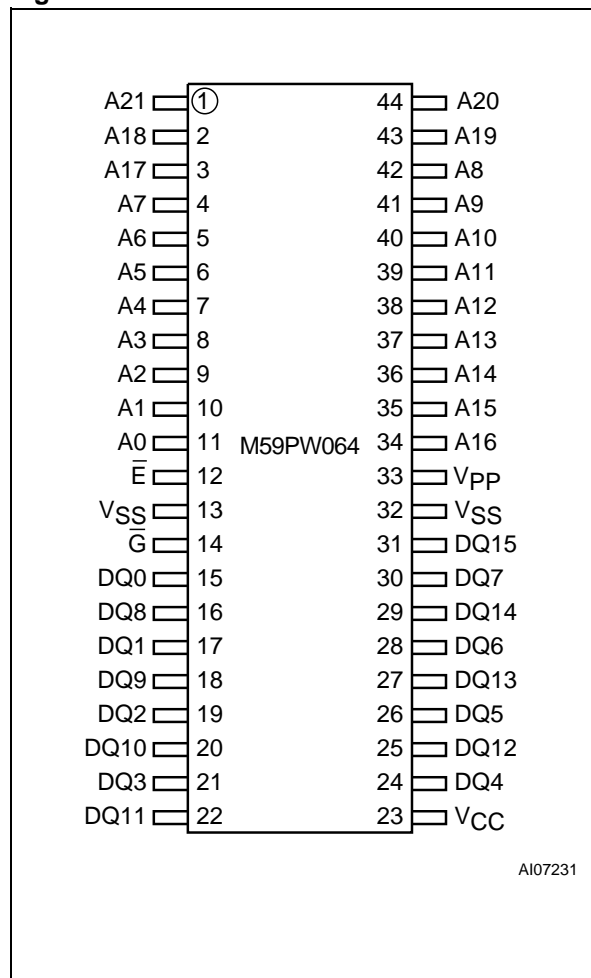
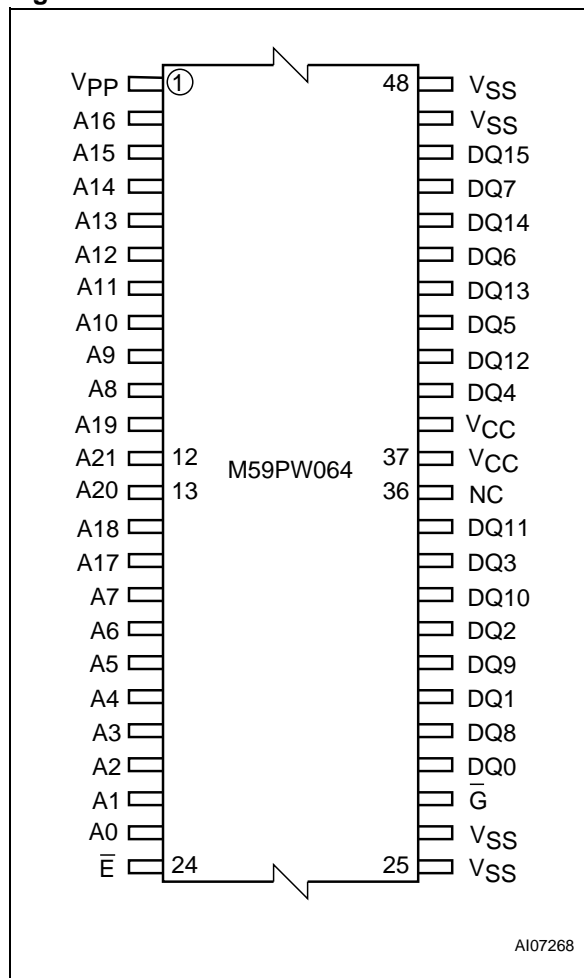


Figure 4. TSOP Connections



M59PW064**Table 2. Block Addresses**

Block Number	Address Range
32	3E0000h-3FFFFFFh
31	3C0000h-3DFFFFFFh
30	3A0000h-3BFFFFFFh
29	380000h-39FFFFFFh
28	360000h-37FFFFFFh
27	340000h-35FFFFFFh
26	320000h-33FFFFFFh
25	300000h-31FFFFFFh
24	2E0000h-2FFFFFFh
23	2C0000h-2DFFFFFFh
22	2A0000h-2BFFFFFFh
21	280000h-29FFFFFFh
20	260000h-27FFFFFFh
19	240000h-25FFFFFFh
18	220000h-23FFFFFFh
17	200000h-21FFFFFFh

Block Number	Address Range
16	1E0000h-1FFFFFFh
15	1C0000h-1DFFFFFFh
14	1A0000h-1BFFFFFFh
13	180000h-19FFFFFFh
12	160000h-17FFFFFFh
11	140000h-15FFFFFFh
10	120000h-13FFFFFFh
9	100000h-11FFFFFFh
8	0E0000h-0FFFFFFh
7	0C0000h-0DFFFFFFh
6	0A0000h-0BFFFFFFh
5	080000h-09FFFFFFh
4	060000h-07FFFFFFh
3	040000h-05FFFFFFh
2	020000h-03FFFFFFh
1	000000h-01FFFFFFh

SIGNAL DESCRIPTIONS

See [Figure 2., Logic Diagram](#), and [Table 1., Signal Names](#), for a brief overview of the signals connected to this device.

Address Inputs (A0-A21). The Address Inputs select the cells in the memory array to access during Bus Read operations. During Bus Write operations they control the commands sent to the Command Interface of the Program Controller.

Data Inputs/Outputs (DQ0-DQ7). The Data Inputs/Outputs output the data stored at the selected address during a Bus Read operation. During Bus Write operations they represent the command sent to the Command Interface of the Program Controller. When reading the Status Register they report the status of the ongoing algorithm.

Data Inputs/Outputs (DQ8-DQ15). The Data Inputs/Outputs output the data stored at the selected address during a Bus Read operation. During Bus Write operations the Command Register does not use these bits. When reading the Status Register these bits should be ignored.

Chip Enable (\bar{E}). The Chip Enable, \bar{E} , activates the memory, allowing Bus Read operations to be performed. It also controls the Bus Write operations, when V_{PP} is in the V_{HH} range.

Output Enable (\bar{G}). The Output Enable, \bar{G} , controls the Bus Read operations of the memory. It

also allows Bus Write operations, when V_{PP} is in the V_{HH} range.

V_{CC} Supply Voltage. The V_{CC} Supply Voltage supplies the power for Read operations.

A 0.1 μ F capacitor should be connected between the V_{CC} Supply Voltage pin and the V_{SS} Ground pin to decouple the current surges from the power supply. The PCB track widths must be sufficient to carry the currents required during program operations, I_{CC3} .

V_{PP} Program Supply Voltage. V_{PP} is both a power supply and Write Protect pin. The two functions are selected by the voltage range applied to the pin.

When the V_{PP} is in the V_{HH} range (see [Table 10., DC Characteristics](#), for the relevant values) the Program/Erase operation is enabled. During such operations the V_{PP} must be stable in the V_{HH} range.

If the V_{PP} is kept under the V_{HH} range, particularly in the voltage range 0V to 3.6V, any Program/Erase operation is disabled or stopped.

Note that V_{PP} must not be left floating or unconnected as the device may become unreliable.

V_{SS} Ground. The V_{SS} Ground is the reference for all voltage measurements.

M59PW064**BUS OPERATIONS**

There are six standard bus operations that control the device. These are Bus Read, Bus Write, Output Disable, Standby, Automatic Standby and Electronic Signature. See [Table 3., Bus Operations](#), for a summary. Typically glitches of less than 5ns on Chip Enable or Write Enable are ignored by the memory and do not affect bus operations.

Bus Read. Bus Read operations read from the memory cells, or specific registers in the Command Interface. A valid Bus Read operation involves setting the desired address on the Address Inputs and applying a Low signal, V_{IL} , to Chip Enable and Output Enable. The Data Inputs/Outputs will output the value, see [Figure 10., Read AC Waveforms](#), and [Table 11., Read AC Characteristics](#), for details of when the output becomes valid.

Bus Write. Bus Write operations write to the Command Interface. Bus Write is enabled only when V_{PP} is set to V_{HH} . A valid Bus Write operation begins by setting the desired address on the Address Inputs. The Address Inputs are latched by the Command Interface on the falling edge of Chip Enable. The Data Inputs/Outputs are latched by the Command Interface on the rising edge of Chip Enable. Output Enable must remain High, V_{IH} , during the whole Bus Write operation. See [Figure 11., Write AC Waveforms, Chip Enable Controlled](#), and [Table 12., Chip Enable Controlled, Write AC Characteristics](#), for details of the timing requirements.

Output Disable. The Data Inputs/Outputs are in the high impedance state when Output Enable is High, V_{IH} .

Standby. When Chip Enable is High, V_{IH} , the memory enters Standby mode and the Data Inputs/Outputs pins are placed in the high-impedance state. To reduce the Supply Current to the Standby Supply Current, I_{CC2} , Chip Enable should be held within $V_{CC} \pm 0.2V$. For the Standby current level see [Table 10., DC Characteristics](#).

During program operation the memory will continue to use the Program Supply Current, I_{CC3} , for Program operation until the operation completes.

Automatic Standby. If CMOS levels ($V_{CC} \pm 0.2V$) are used to drive the bus and the bus is inactive for 150ns or more the memory enters Automatic Standby where the internal Supply Current is reduced to the Standby Supply Current, I_{CC2} . The Data Inputs/Outputs will still output data if a Bus Read operation is in progress.

Electronic Signature. The memory has two codes, the manufacturer code and the device code, that can be read to identify the memory. These codes can be read by applying the signals listed in [Table 3., Bus Operations](#), once the Auto Select Command is executed. To exit Electronic Signature mode, the Read/Reset command must be issued.

Table 3. Bus Operations

Operation	\bar{E}	\bar{G}	V_{PP}	Address Inputs A0-A21	Data Inputs/Outputs DQ15-DQ0
Bus Read	V_{IL}	V_{IL}	XX ⁽³⁾	Cell Address	Data Output
Bus Write	V_{IL}	V_{IH}	V_{HH}	Command Address	Data Input
Output Disable	X	V_{IH}	X	X	Hi-Z
Standby	V_{IH}	X	X	X	Hi-Z
Read Manufacturer Code	V_{IL}	V_{IL}	V_{HH}	A0 = V_{IL} , A1 = V_{IL} , Others V_{IL} or V_{IH}	0020h
Read Device Code	V_{IL}	V_{IL}	V_{HH}	A0 = V_{IH} , A1 = V_{IL} , Others V_{IL} or V_{IH}	88AAh

Note: 1. X = V_{IL} or V_{IH} .

2. XX = V_{IL} , V_{IH} or V_{HH}

3. When reading Status Register during Program algorithm execution V_{PP} must be kept at V_{HH} .

COMMAND INTERFACE

All Bus Write operations to the memory are interpreted by the Command Interface. Commands consist of one or more sequential Bus Write operations. Failure to observe a valid sequence of Bus Write operations will result in the memory returning to Read mode. The long command sequences are imposed to maximize data security.

Refer to Tables 4 and 5, for a summary of the commands.

Read/Reset Command.

The Read/Reset command returns the memory to its Read mode where it behaves like a ROM or EPROM, unless otherwise stated. It also resets the errors in the Status Register. Either one or three Bus Write operations can be used to issue the Read/Reset command.

V_{PP} must be set to V_{HH} during the Read/Reset command. If V_{PP} is set to either V_{IL} or V_{IH} the command will be ignored. The command can be issued, between Bus Write cycles before the start of a program operation, to return the device to read mode. Once the program operation has started the Read/Reset command is no longer accepted.

Auto Select Command.

The Auto Select command is used to read the Manufacturer Code and the Device Code. V_{PP} must be set to V_{HH} during the Auto Select command. If V_{PP} is set to either V_{IL} or V_{IH} the command will be ignored. Three consecutive Bus Write operations are required to issue the Auto Select command. Once the Auto Select command is issued the memory remains in Auto Select mode until a Read/Reset command is issued, all other commands are ignored.

From the Auto Select mode the Manufacturer Code can be read using a Bus Read operation with $A0 = V_{IL}$ and $A1 = V_{IL}$. The other address bits may be set to either V_{IL} or V_{IH} .

The Device Code can be read using a Bus Read operation with $A0 = V_{IH}$ and $A1 = V_{IL}$. The other address bits may be set to either V_{IL} or V_{IH} .

Word Program Command.

The Word Program command can be used to program a Word to the memory array. V_{PP} must be set to V_{HH} during Word Program. If V_{PP} is set to either V_{IL} or V_{IH} the command will be ignored, the data will remain unchanged and the device will revert to Read/Reset mode. The command requires four Bus Write operations, the final write operation latches the address and data in the internal state machine and starts the P/E.C.

During the program operation the memory will ignore all commands. It is not possible to issue any command to abort or pause the operation. Typical program times are given in Table 6.. Bus Read operations during the program operation will output the Status Register on the Data Inputs/Outputs. See the section on the Status Register for more details.

After the program operation has completed the memory will return to the Read mode, unless an error has occurred. When an error occurs the memory will continue to output the Status Register. A Read/Reset command must be issued to reset the error condition and return to Read mode.

Note that the Program command cannot change a bit set at '0' back to '1'.

Multiple Word Program Command

The Multiple Word Program command can be used to program large streams of data. It greatly reduces the total programming time when a large number of Words are written in the memory at once. V_{PP} must be set to V_{HH} during Multiple Word Program. If V_{PP} is set either V_{IL} or V_{IH} the command will be ignored, the data will remain unchanged and the device will revert to Read mode.

It has four phases: the Setup Phase to initiate the command, the Program Phase to program the data to the memory, the Verify Phase to check that the data has been correctly programmed and re-program if necessary and the Exit Phase.

Setup Phase. The Multiple Word Program command requires three Bus Write operations to initiate the command (refer to Table 4, Multiple Word Program Command and Figure 8, Multiple Word Program Flowchart).

The Status Register must be read in order to check that the P/E.C. has started (see Table 7. and Figure 6.).

Program Phase. The Program Phase requires $n+1$ Bus Write operations, where n is the number of Words, to execute the programming phase (refer to Table 5., Multiple Word Program Command, and Figure 5., Multiple Word Program Flowchart).

Before any Bus Write operation of the Program Phase, the Status Register must be read in order to check that the P/E.C. is ready to accept the operation (see Table 7. and Figure 6.).

The Program Phase is executed in three different sub-phases:

1. The first Bus Write operation of the Program Phase (the 4th of the command) latches the

M59PW064

Start Address and the first Word to be programmed.

- Each subsequent Bus Write operation latches the next Word to be programmed and automatically increments the internal Address Bus. It is not necessary to provide the address of the location to be programmed but only a Continue Address, CA (A17 to A21 equal to the Start Address), that indicates to the PC that the Program Phase has to continue. A0 to A16 are 'don't care'.
- Finally, after all Words have been programmed, a Bus Write operation (the $(n+1)^{\text{th}}$) with a Final Address, FA (A17 or a higher address pin different from the Start Address), ends the Program Phase.

The memory is now set to enter the Verify Phase.

Verify Phase. The Verify Phase is similar to the Program Phase in that all Words must be resent to the memory for them to be checked against the programmed data.

Before any Bus Write Operation of the Verify Phase, the Status Register must be read in order to check that the P/E.C. is ready for the next operation or if the reprogram of the location has failed (see [Table 7.](#) and [Figure 6.](#)).

Three successive steps are required to execute the Verify Phase of the command:

- The first Bus Write operation of the Verify Phase latches the Start Address and the Word to be verified.
- Each subsequent Bus Write operation latches the next Word to be verified and automatically increments the internal Address Bus. As in the Program Phase, it is not necessary to provide the address of the location to be programmed but only a Continue Address, CA (A17 to A21 equal to the Start Address).
- Finally, after all Words have been verified, a Bus Write cycle with a Final Address, FA (A17 or a higher address pin different from the Start Address) ends the Verify Phase.

Exit Phase. After the Verify Phase ends, the Status Register must be read to check if the command has successfully completed or not (see [Table 7.](#) and [Figure 6.](#)).

If the Verify Phase accomplishes successfully, the memory returns to the Read mode and DQ6 stops toggling.

On the contrary, if the P/E.C. fails to reprogram a given location, the Verify Phase terminates, DQ6 continues toggling and error bit DQ5 is set in the Status Register. If the error is due to a V_{PP} failure DQ4 is also set.

When the operation fails a Read/Reset command must be issued to return the device to Read mode.

During the Multiple Word Program operation the memory will ignore all commands. It is not possible to issue any command to abort or pause the operation. Typical program times are given in [Table 6.](#) Bus Read operations during the program operation will output the Status Register on the Data Inputs/Outputs. See the section on the Status Register for more details.

Note that the Multiple Word Program command cannot change a bit set at '0' back to '1'.

Block Erase Command.

The Block Erase command can be used to erase a block. It sets all of the bits in the block to '1'. All previous data in the block is lost.

V_{PP} must be set to V_{HH} during Block Erase. If V_{PP} is set to either V_{IL} or V_{IH} the command will be ignored, the data will remain unchanged and the device will revert to Read/Reset mode.

Six Bus Write operations are required to select the block. The Block Erase operation starts the P/E.C. after the last Bus Write operation. The Status Register can be read after the sixth Bus Write operation. See the Status Register for details on how to identify if the P/E.C. has started the Block Erase operation.

During the Block Erase operation the memory will ignore all commands. Typical block erase times are given in [Table 6.](#) All Bus Read operations during the Block Erase operation will output the Status Register on the Data Inputs/Outputs. See the section on the Status Register for more details.

After the Block Erase operation has completed the memory will return to the Read Mode, unless an error has occurred. When an error occurs the memory will continue to output the Status Register. A Read/Reset command must be issued to reset the error condition and return to Read mode.

Chip Erase Command.

The Chip Erase command can be used to erase the entire memory. It sets all of the bits in the memory to '1'. All previous data in the memory is lost.

V_{PP} must be set to V_{HH} during Chip Erase. If V_{PP} is set to either V_{IL} or V_{IH} the command will be ignored, the data will remain unchanged and the device will revert to Read/Reset mode. Six Bus Write operations are required to issue the Chip Erase Command and start the P/E.C.

During the erase operation the memory will ignore all commands. It is not possible to issue any command to abort the operation. Typical chip erase times are given in [Table 6.](#) All Bus Read operations during the Chip Erase operation will output

the Status Register on the Data Inputs/Outputs. See the section on the Status Register for more details.

After the Chip Erase operation has completed the memory will return to the Read Mode, unless an

error has occurred. When an error occurs the memory will continue to output the Status Register. A Read/Reset command must be issued to reset the error condition and return to Read Mode.

Table 4. Standard Commands

Command	Length	Bus Write Operations											
		1st		2nd		3rd		4th		5th		6th	
		Add	Data	Add	Data	Add	Data	Add	Data	Add	Data	Add	Data
Read/Reset	1	X	F0										
	3	555	AA	2AA	55	X	F0						
Auto Select	3	555	AA	2AA	55	555	90						
Word Program	4	555	AA	2AA	55	555	A0	PA	PD				
Block Erase	6	555	AA	2AA	55	555	80	555	AA	2AA	55	BA	30
Chip Erase	6	555	AA	2AA	55	555	80	555	AA	2AA	55	555	10

Note: X Don't Care, PA Program Address, PD Program Data, BA Any address in the Block. All values in the table are in hexadecimal. The Command Interface only uses A0-A10 and DQ0-DQ7 to verify the commands; A11-A21, DQ8-DQ15 are Don't Care.

Table 5. Multiple Word Program Command

Phase	Length	Bus Write Operations													
		1st		2nd		3rd		4th		5th		nth		Final	
		Add	Data	Add	Data	Add	Data	Add	Data	Add	Data	Add	Data	Add	Data
Set-Up	3	555	AA	2AA	55	555	20								
Program	n+1	SA	PD1	CA	PD2	CA	PD3	CA	PD4	CA	PD5				
Verify	n+1	SA	PD1	CA	PD2	CA	PD3	CA	PD4	CA	PD5	CA	PAn	FA	X

Note: A Bus Read must be done between each Write cycle where the data is programmed or verified, to Read the Status Register and check that the memory is ready to accept the next data. SA is the Start Address. CA is the Continue Address. FA is the Final Address. X Don't Care, n = number of Words to be programmed.

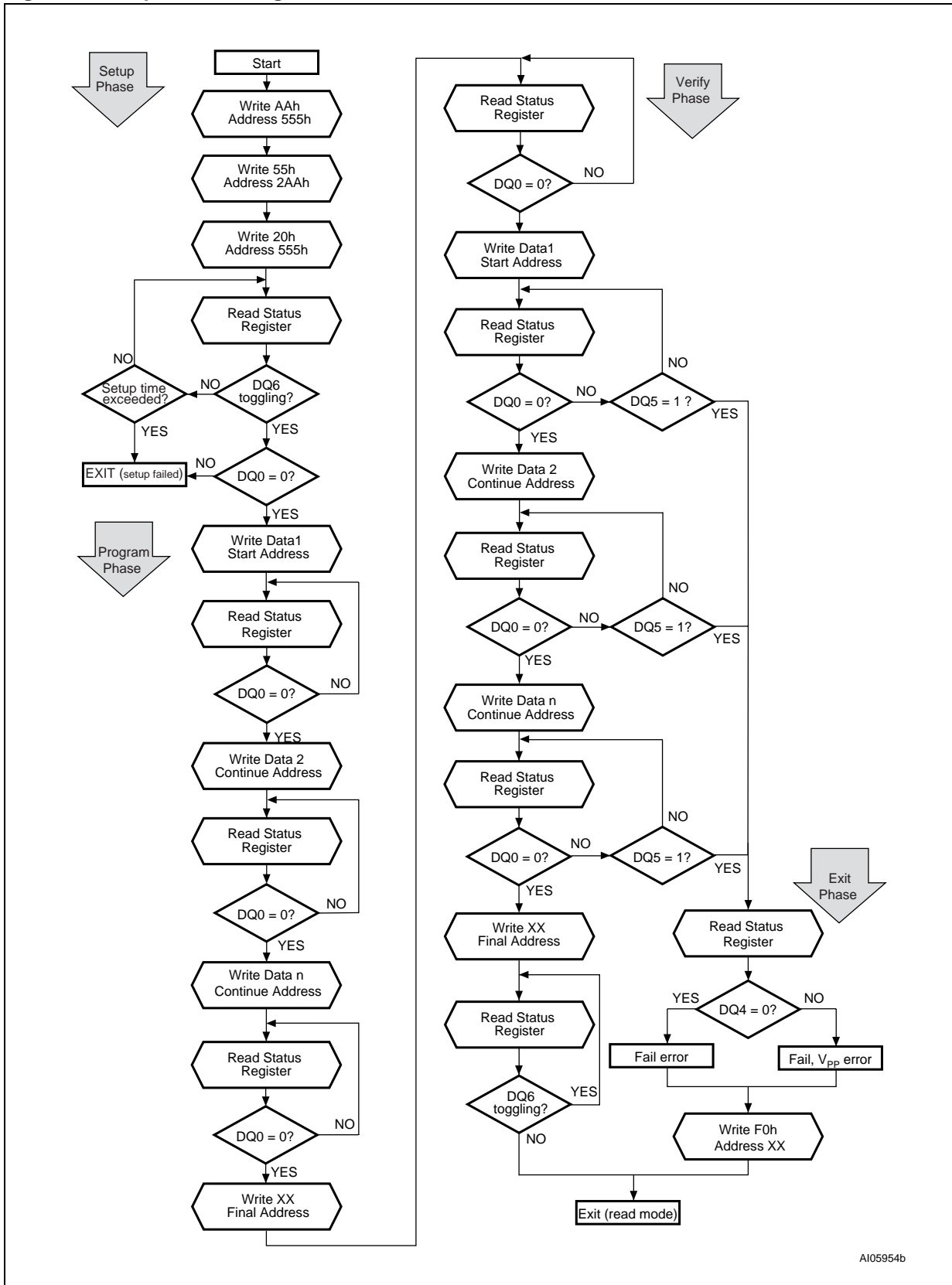
Table 6. Program, Erase Times and Program, Erase Endurance Cycles

Parameter	Min	Typ ⁽¹⁾	Typical after 10k W/E Cycles ⁽¹⁾	Max	Unit
Chip Erase		41	44	120	s
Block Erase (128 KWords)		1.5		6	s
Program (Word)		9		200	µs
Chip Program (Multiple Word)		8		144	s
Chip Program (Word by Word)		36		144	s
Program/Erase Cycles (per Block)	10,000				cycles

Note: 1. T_A = 25°C, V_{PP} = 12V.

M59PW064

Figure 5. Multiple Word Program Flowchart



A105954b



STATUS REGISTER

Bus Read operations from any address always read the Status Register during Program and Erase operations. The bits in the Status Register are summarized in [Table 7., Status Register Bits](#).

Data Polling Bit (DQ7). The Data Polling Bit can be used to identify whether the P/E.C. has successfully completed its operation. The Data Polling Bit is output on DQ7 when the Status Register is read.

During a Word Program operation the Data Polling Bit outputs the complement of the bit being programmed to DQ7. After successful completion of the Word Program operation the memory returns to Read mode and Bus Read operations from the address just programmed output DQ7, not its complement.

During Erase operations the Data Polling Bit outputs '0', the complement of the erased state of DQ7. After successful completion of the Erase operation the memory returns to Read Mode.

[Figure 6., Data Polling Flowchart](#), gives an example of how to use the Data Polling Bit. A Valid Address is the address being programmed or an address within the block being erased.

Toggle Bit (DQ6). The Toggle Bit can be used to identify whether the P/E.C. has successfully completed its operation. The Toggle Bit is output on DQ6 when the Status Register is read.

During Program and Erase operations the Toggle Bit changes from '0' to '1' to '0', etc., with successive Bus Read operations at any address. After successful completion of the operation the memory returns to Read mode.

[Figure 7., Data Toggle Flowchart](#), gives an example of how to use the Data Toggle Bit.

Error Bit (DQ5). The Error Bit can be used to identify errors detected by the P/E.C. The Error Bit is set to '1' when a Program, Block Erase or Chip Erase operation fails to write the correct data to the memory. If the Error Bit is set a Read/Reset command must be issued before other commands are issued. The Error bit is output on DQ5 when the Status Register is read.

Note that the Program command cannot change a bit set to '0' back to '1' and attempting to do so will set DQ5 to '1'. A Bus Read operation to that address will show the bit is still '0'. One of the Erase commands must be used to set all the bits in a block or in the whole memory from '0' to '1'.

V_{PP} Status Bit (DQ4). The V_{PP} Status Bit can be used to identify if any Program or Erase operation has failed due to a V_{PP} error. If V_{PP} falls below V_{HH} during any Program or Erase operation, the operation aborts and DQ4 is set to '1'. If V_{PP} remains at V_{HH} throughout the Program or Erase operation, the operation completes and DQ4 is set to '0'.

Erase Timer Bit (DQ3). The Erase Timer Bit can be used to identify the start of P/E.C. operation during a Block Erase command. Once the P/E.C. starts erasing the Erase Timer Bit is set to '1'. The Erase Timer Bit is output on DQ3 when the Status Register is read.

Alternative Toggle Bit (DQ2). The Alternative Toggle Bit can be used to monitor the P/E.C. during Block Erase operations. The Alternative Toggle Bit is output on DQ2 when the Status Register is read.

During Block Erase operations the Toggle Bit changes from '0' to '1' to '0', etc., with successive Bus Read operations from addresses within the block being erased. Once the operation completes the memory returns to Read mode.

After an Erase operation that causes the Error Bit to be set, the Alternative Toggle Bit can be used to identify where the error occurred. The Alternative Toggle Bit changes from '0' to '1' to '0', etc. with successive Bus Read Operations from addresses within a block that has not erased correctly. The Alternative Toggle Bit does not change if the addressed block has erased correctly.

Multiple Word Program Bit (DQ0). The Multiple Word Program Bit can be used to indicate whether the P/E.C. is active or inactive during Multiple Word Program. When the P/E.C. has written one Word and is ready to accept the next Word, the bit is set to '0'.

Status Register Bit DQ1 is reserved.

M59PW064

Table 7. Status Register Bits

Command (1)	P/E.C. Status	Address	DQ7	DQ6	DQ5	DQ4	DQ3	DQ2	DQ0
Multiple Word Program	Programming	–	–	Toggle	0	–	0	–	1
	Waiting for data	–	–	Toggle	0	–	0	–	0
	Program fail	–	–	Toggle	1	(2)	0	–	1
Word Program	Programming	–	$\overline{DQ7}$	Toggle	0	–	0	–	–
	Program error	–	$\overline{DQ7}$	Toggle	1	(2)	0	–	–
Chip Erase/ Block Erase	Erasing	In erasing block	0	Toggle	0	–	1	Toggle	–
		Not in erasing block	0	Toggle	0	–	1	No Toggle	–
	Erase fail	In failed block	0	Toggle	1	(2)	1	Toggle	–
		Not in failed block	0	Toggle	1	(2)	1	No Toggle	–

Note: 1. Unspecified data bits should be ignored.

2. DQ4 = 0 if $V_{PP} \geq V_{HH}$ during Program/Erase algorithm execution; DQ4 = 1 if $V_{PP} < V_{HH}$ during Program/Erase algorithm execution.

Figure 6. Data Polling Flowchart

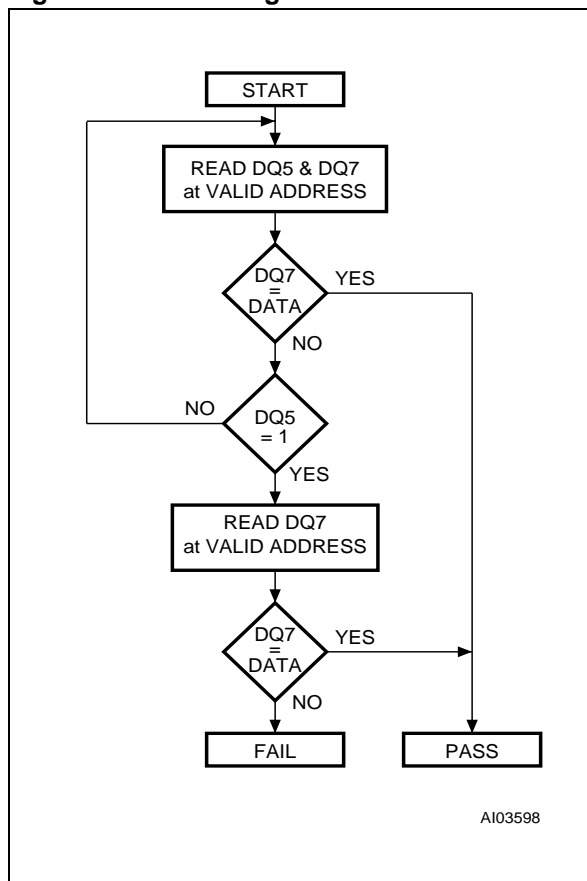
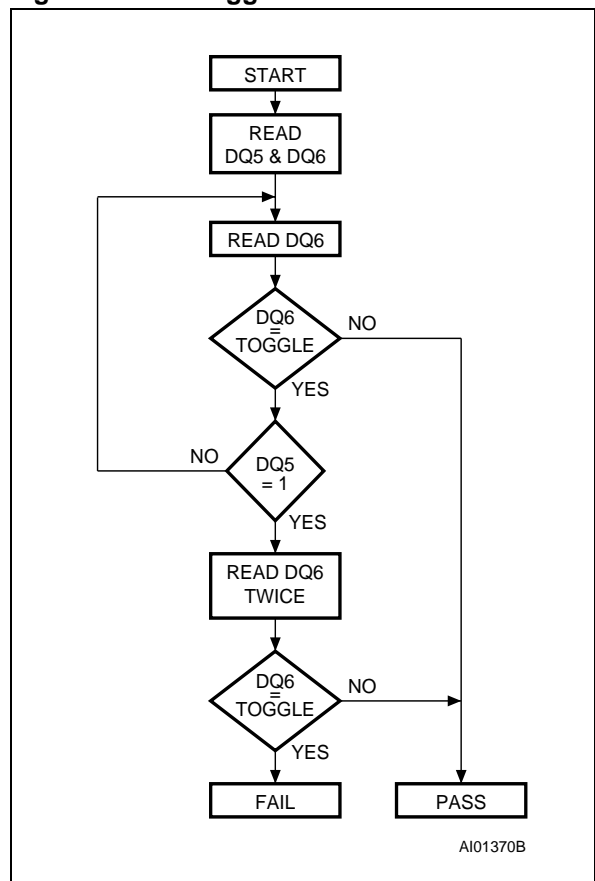


Figure 7. Data Toggle Flowchart



MAXIMUM RATING

Stressing the device above the rating listed in the Absolute Maximum Ratings" table may cause permanent damage to the device. Exposure to Absolute Maximum Rating conditions for extended periods may affect device reliability. These are stress ratings only and operation of the device at

these or any other conditions above those indicated in the Operating sections of this specification is not implied. Refer also to the STMicroelectronics SURE Program and other relevant quality documents.

Table 8. Absolute Maximum Ratings

Symbol	Parameter	Min	Max	Unit
T _{BIAS}	Temperature Under Bias	-50	125	°C
T _{STG}	Storage Temperature	-65	150	°C
V _{IO}	Input or Output Voltage ^(1,2)	-0.6	V _{CC} +0.6	V
V _{CC}	Read Supply Voltage	-0.6	4	V
V _{PP}	Program/Erase Supply Voltage ⁽³⁾	-0.6	13.5	V

Note: 1. Minimum voltage may undershoot to -2V for less than 20ns during transitions.
 2. Maximum voltage may overshoot to V_{CC} +2V for less than 20ns during transitions.
 3. Maximum voltage may overshoot to 14.0V for less than 20ns during transitions. V_{PP} must not remain at V_{HH} for more than a total of 80hrs.

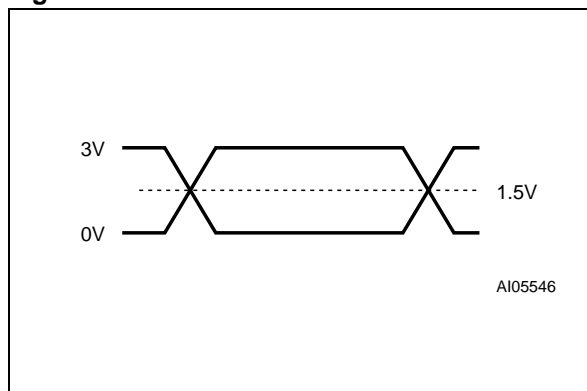
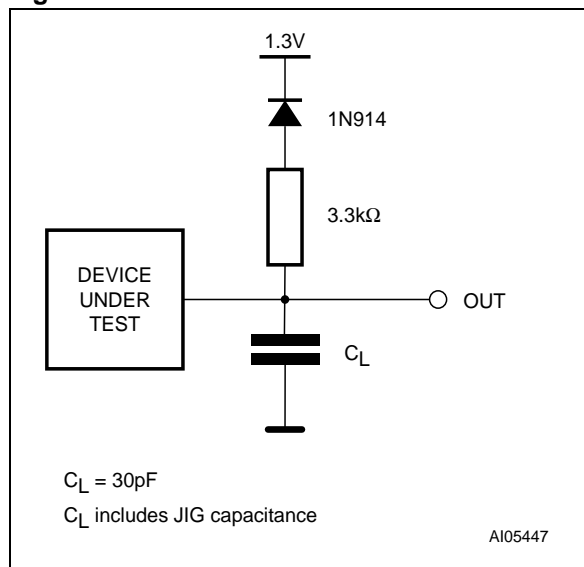
M59PW064**DC AND AC PARAMETERS**

This section summarizes the operating measurement conditions, and the DC and AC characteristics of the device. The parameters in the DC and AC characteristics Tables that follow, are derived from tests performed under the Measurement

Conditions summarized in [Table 9., Operating and AC Measurement Conditions](#). Designers should check that the operating conditions in their circuit match the operating conditions when relying on the quoted parameters.

Table 9. Operating and AC Measurement Conditions

Parameter	M59PW064		Unit
	100, 110		
	Min	Max	
V _{CC} Read Supply Voltage	2.7	3.6	V
V _{PP} Program/Erase Supply Voltage	11.4	12.6	V
Ambient Operating Temperature (T _A)	0	70	°C
Load Capacitance (C _L)	30		pF
Input Rise and Fall Times		10	ns
Input Pulse Voltages	0 to 3		V
Input and Output Timing Ref. Voltages	1.5		V

Figure 8. AC Measurement I/O Waveform**Figure 9. AC Measurement Load Circuit****Device Capacitance**

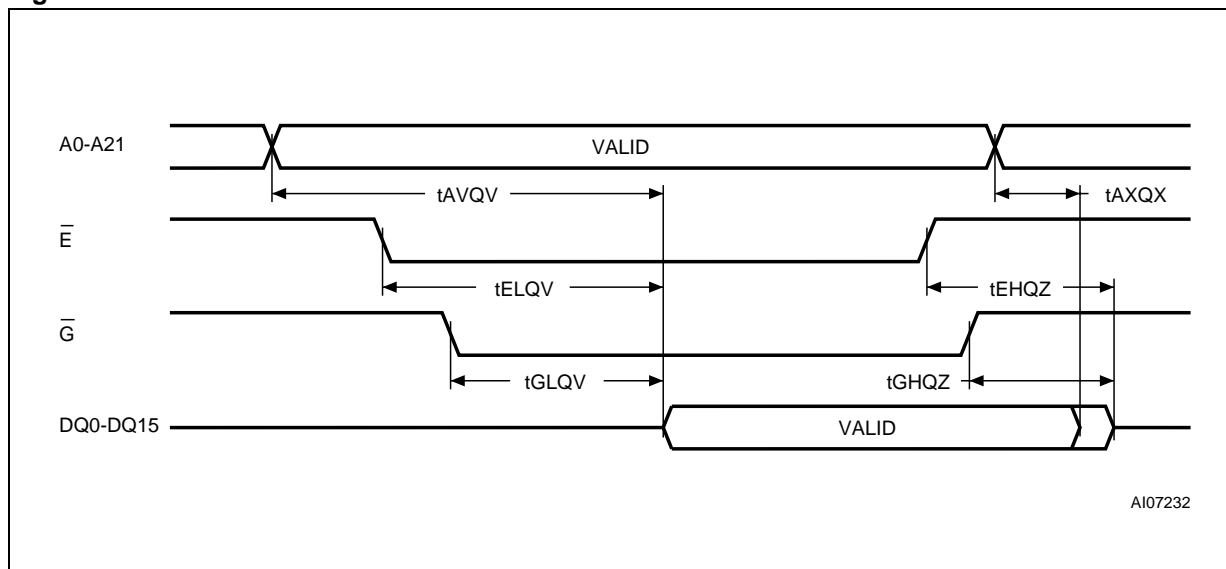
Symbol	Parameter	Test Condition	Min	Max	Unit
C _{IN}	Input Capacitance	V _{IN} = 0V		6	pF
C _{OUT}	Output Capacitance	V _{OUT} = 0V		12	pF

Note: Sampled only, not 100% tested.

Table 10. DC Characteristics

Symbol	Parameter ⁽¹⁾	Test Condition	Min	Max	Unit
I _{LI}	Input Leakage Current	$0V \leq V_{IN} \leq V_{CC}$		±1	μA
I _{LO}	Output Leakage Current	$0V \leq V_{OUT} \leq V_{CC}$		±1	μA
I _{CC1}	Supply Current (Read)	$\bar{E} = V_{IL}, \bar{G} = V_{IH},$ f = 6MHz		10	mA
I _{CC2} ⁽²⁾	Supply Current (Standby)	$\bar{E} = V_{CC} \pm 0.2V$		100	μA
I _{CC3}	Supply Current (Program)	P/E.C. active		20	mA
V _{IL}	Input Low Voltage		-0.5	0.8	V
V _{IH}	Input High Voltage		0.7V _{CC}	V _{CC} + 0.3	V
V _{OL}	Output Low Voltage	I _{OL} = 1.8mA		0.45	V
V _{OH}	Output High Voltage	I _{OH} = -100μA	V _{CC} - 0.4		V
V _{HH}	V _{PP} Program Voltage		11.4	12.6	V
I _{HH}	V _{PP} Current (Program)	P/E.C. Active		10	mA

Note: 1. V_{CC} must be applied simultaneously or before V_{PP} and removed simultaneously or after V_{PP}.
2. Average Value.

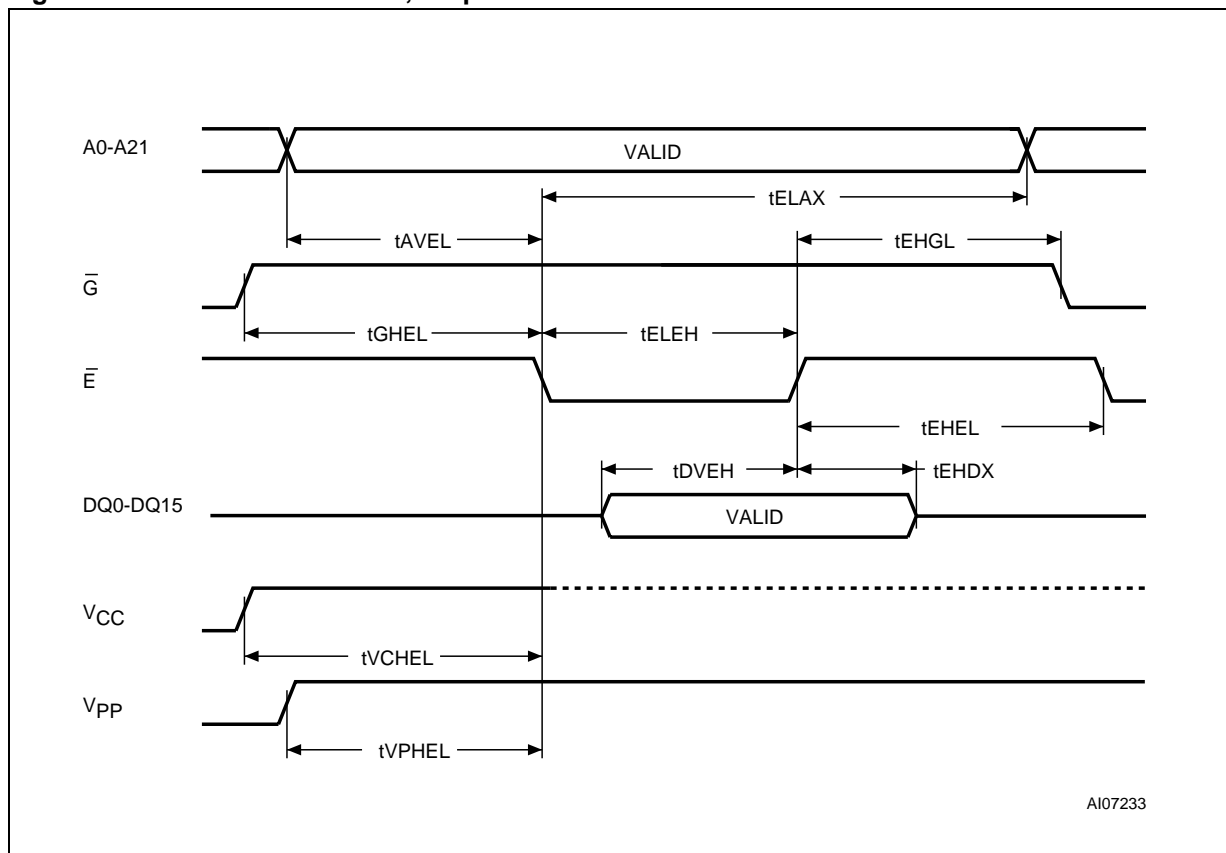
M59PW064**Figure 10. Read AC Waveforms****Table 11. Read AC Characteristics**

Symbol	Alt	Parameter ⁽¹⁾	Test Condition		M59PW064			Unit
					100		110	
					$V_{CC} = 3.0$ to $3.6V$	$V_{CC} = 2.7$ to $3.6V$	$V_{CC} = 2.7$ to $3.6V$	
t_{AVQV}	t_{ACC}	Address Valid to Output Valid	$\bar{E} = V_{IL}$, $\bar{G} = V_{IL}$	Max	90	100	110	ns
t_{ELQV}	t_{CE}	Chip Enable Low to Output Valid	$\bar{G} = V_{IL}$	Max	90	100	110	ns
t_{GLQV}	t_{OE}	Output Enable Low to Output Valid	$\bar{E} = V_{IL}$	Max	35	35	35	ns
t_{EHQZ} ⁽²⁾	t_{HZ}	Chip Enable High to Output Hi-Z	$\bar{G} = V_{IL}$	Max	30	30	30	ns
t_{GHQZ} ⁽²⁾	t_{DF}	Output Enable High to Output Hi-Z	$\bar{E} = V_{IL}$	Max	30	30	30	ns
t_{AXQX}	t_{OH}	Address Transition to Output Transition		Min	0	0	0	ns

Note: 1. V_{PP} must be applied after V_{CC} and with the Chip Enable (\bar{E}) at V_{IH} .

2. Sampled only, not 100% tested.

Figure 11. Write AC Waveforms, Chip Enable Controlled



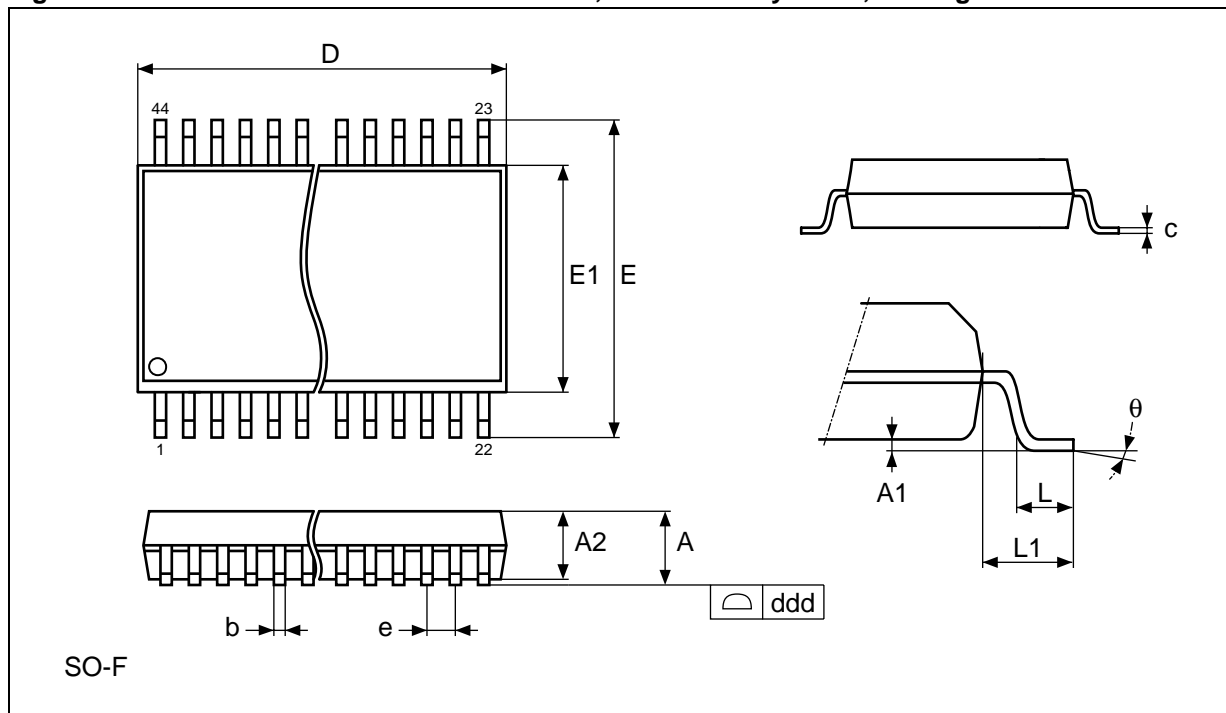
AI07233

Table 12. Chip Enable Controlled, Write AC Characteristics

Symbol	Alt	Parameter ⁽¹⁾		M59PW064	Unit
t_{ELEH}	t_{CP}	Chip Enable Low to Chip Enable High	Min	50	ns
t_{DVEH}	t_{DS}	Input Valid to Chip Enable High	Min	50	ns
t_{EHDX}	t_{DH}	Chip Enable High to Input Transition	Min	0	ns
t_{EHEL}	t_{CPH}	Chip Enable High to Chip Enable Low	Min	50	ns
t_{AVEL}	t_{AS}	Address Valid to Chip Enable Low	Min	0	ns
t_{ELAX}	t_{AH}	Chip Enable Low to Address Transition	Min	100	ns
t_{GHEL}		Output Enable High Chip Enable Low	Min	10	ns
t_{EHGL}	t_{OEHL}	Chip Enable High to Output Enable Low	Min	10	ns
t_{VCHEL}	t_{VCS}	V_{CC} High to Chip Enable Low	Min	50	μ s
t_{VPHEL} ⁽²⁾	t_{VCS}	V_{PP} High to Chip Enable Low	Min	500	ns

Note: 1. $T_A = 25^\circ\text{C}$; $V_{PP} = 11.4$ to 12.6V ; $V_{CC} = 2.7$ to 3.6V .
 V_{PP} must be applied after V_{CC} and with the Chip Enable (\bar{E}) at V_{IH} .
 Sampled only, not 100% tested.

2. Not required in Auto Select or Read/Reset command sequences.

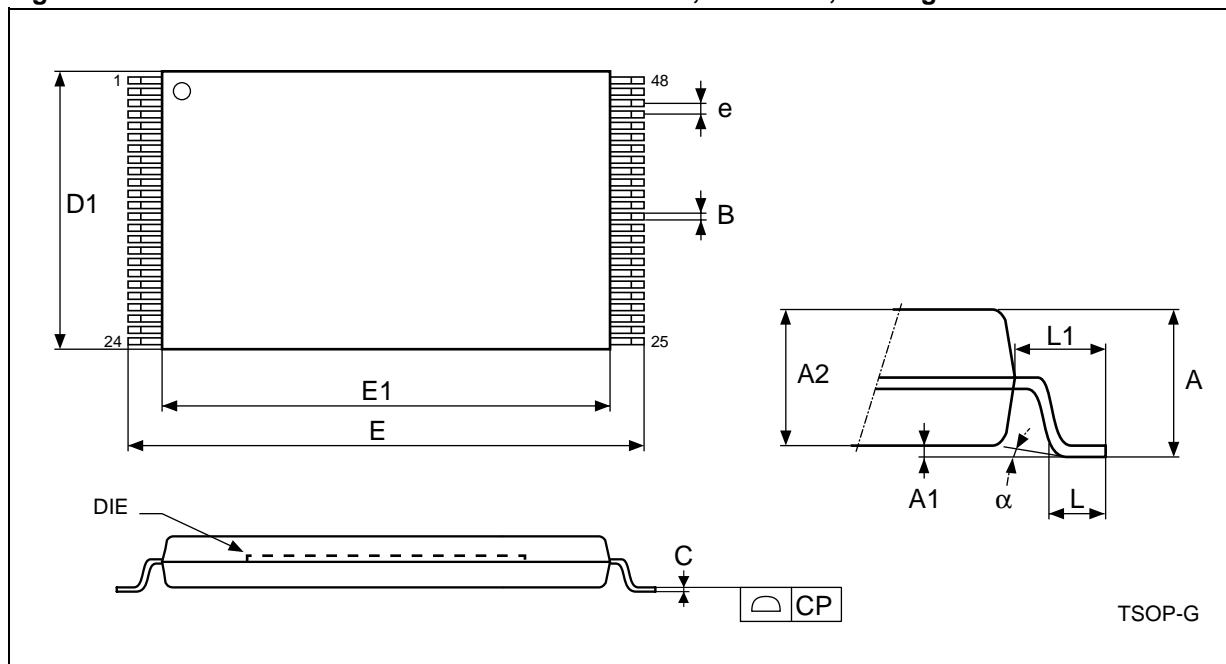
M59PW064**PACKAGE MECHANICAL****Figure 12. SO44 - 44 lead Plastic Small Outline, 500 mils body width, Package Outline**

Note: Drawing is not to scale.

Table 13. SO44 - 44 lead Plastic Small Outline, 500 mils body width, Package Mechanical Data

Symbol	millimeters			inches		
	Typ	Min	Max	Typ	Min	Max
A			3.00			0.118
A1	0.10			0.004		
A2	2.69	2.56	2.79	0.106	0.101	0.110
b		0.35	0.50		0.014	0.020
c		0.18	0.28		0.007	0.011
D	28.50	28.37	28.63	1.122	1.117	1.127
ddd			0.10			0.004
E	16.03	15.77	16.28	0.631	0.621	0.641
E1	12.60	12.47	12.73	0.496	0.491	0.501
e	1.27	–	–	0.050	–	–
L	0.79			0.031		
L1	1.73			0.068		
θ			8°			8°
N	44			44		

Figure 13. TSOP48 - 48 lead Plastic Thin Small Outline, 12x20mm, Package Outline



Note: Drawing is not to scale.

Table 14. TSOP48 - 48 lead Plastic Thin Small Outline, 12x20mm, Package Mechanical Data

Symbol	millimeters			inches		
	Typ	Min	Max	Typ	Min	Max
A			1.200			0.0472
A1	0.100	0.050	0.150	0.0039	0.0020	0.0059
A2	1.000	0.950	1.050	0.0394	0.0374	0.0413
B	0.220	0.170	0.270	0.0087	0.0067	0.0106
C		0.100	0.210		0.0039	0.0083
CP			0.080			0.0031
D1	12.000	11.900	12.100	0.4724	0.4685	0.4764
E	20.000	19.800	20.200	0.7874	0.7795	0.7953
E1	18.400	18.300	18.500	0.7244	0.7205	0.7283
e	0.500	–	–	0.0197	–	–
L	0.600	0.500	0.700	0.0236	0.0197	0.0276
L1	0.800			0.0315		
α	3	0	5	3	0	5

M59PW064**PART NUMBERING****Table 15. Ordering Information Scheme**

Example:	M59P064	100	M	1	T
Device Type M59P = LightFlash Memory					
Operating Voltage W = $V_{CC} = 2.7$ to $3.6V$					
Device Function 064 = 64 Mbit (x16)					
Speed 100 = 100 ns ⁽¹⁾ 110 = 110 ns					
Package M = SO44, 500mils body width N = TSOP48: 12 x 20 mm					
Temperature Range 1 = 0 to 70 °C					
Option T = Tape & Reel Packing					

Note: 1. This speed also guarantees 90ns access time at $V_{CC} = 3.0$ to $3.6V$.

Devices are shipped from the factory with the memory content bits erased to '1'.

For a list of available options (Speed, Package, etc...) or for further information on any aspect of this device, please contact the ST Sales Office nearest to you.

REVISION HISTORY

Table 16. Document Revision History

Date	Version	Revision Details
19-Jul-2002	1.0	First Issue
05-Aug-2002	1.1	Multiple Word Program Command Table clarified (Table 5.) I _{CC1} , I _{CC2} clarified (Table 10.)
28-Nov-2002	1.2	SO44 body width modified Bus Operation table clarified (Table 3.) Read/Reset, Auto Select and Multiple Word Program commands clarified Mask-ROM pin-out compatible feature added 90ns speed class obtained from the 100ns at V _{CC} = 3.0 to 3.6V (Tables 11 and 12) Chip Enable, Output Enable, Program Supply Voltage clarified
07-Feb-2003	1.3	Document status changed to Datasheet
30-Jan-2004	2.0	TSOP48 Package specifications changed (see Figure 13. and Table 14.).
15-Mar-2005	3.0	Table 15. , Ordering Information Scheme corrected.

M59PW064

Information furnished is believed to be accurate and reliable. However, STMicroelectronics assumes no responsibility for the consequences of use of such information nor for any infringement of patents or other rights of third parties which may result from its use. No license is granted by implication or otherwise under any patent or patent rights of STMicroelectronics. Specifications mentioned in this publication are subject to change without notice. This publication supersedes and replaces all information previously supplied. STMicroelectronics products are not authorized for use as critical components in life support devices or systems without express written approval of STMicroelectronics.

The ST logo is a registered trademark of STMicroelectronics.

All other names are the property of their respective owners

© 2005 STMicroelectronics - All rights reserved

STMicroelectronics group of companies

Australia - Belgium - Brazil - Canada - China - Czech Republic - Finland - France - Germany - Hong Kong - India - Israel - Italy - Japan - Malaysia - Malta - Morocco - Singapore - Spain - Sweden - Switzerland - United Kingdom - United States of America

www.st.com