

CMOS 4-Bit Microcontroller

TMP47P443VN
TMP47P443VM
TMP47P443VDM

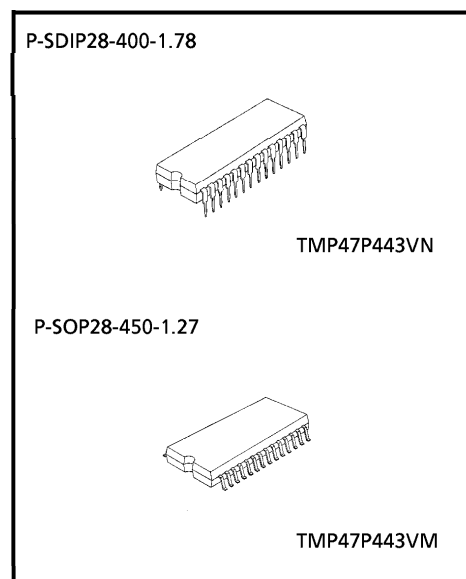
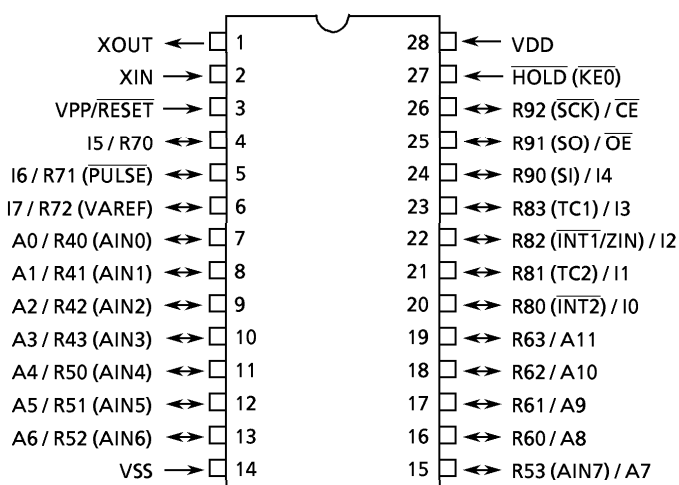
The TMP47P443V is the system evaluation LSI of TMP47C243/443 with a 32 Kbit one-time PROM. The TMP47P443V programs / verifies using an adapter socket to connect with PROM programmer, as it is in TMM27256AD.

In addition, the TMP47P443V and the TMP47C243/443 are pin compatible. The TMP47P443V operates as the same as the TMP47C243/443 by programming to the internal PROM.

Part No.	ROM	RAM	Package	Adapter Socket
TMP47P443VN	OTP 4096 x 8-bit	256 x 4-bit	P-SDIP28-400-1.78	BM11100
TMP47P443VM			P-SOP28-450-1.27	BM11101
TMP47P443VDM			P-SSOP30-56-0.65	BM11115

Pin Assignment (Top View)

P-SDIP28-400-1.78 / P-SOP28-450-1.27

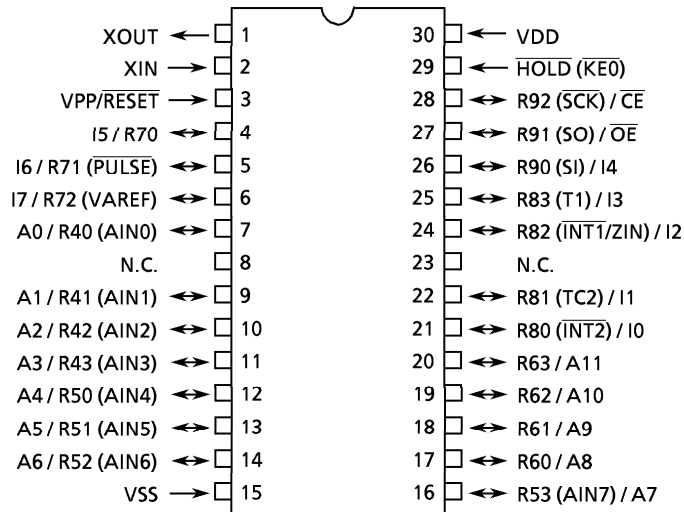


000707EBA1

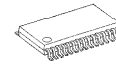
- For a discussion of how the reliability of microcontrollers can be predicted, please refer to Section 1.3 of the chapter entitled Quality and Reliability Assurance / Handling Precautions.
- TOSHIBA is continually working to improve the quality and reliability of its products. Nevertheless, semiconductor devices in general can malfunction or fail due to their inherent electrical sensitivity and vulnerability to physical stress. It is the responsibility of the buyer, when utilizing TOSHIBA products, to comply with the standards of safety in making a safe design for the entire system, and to avoid situations in which a malfunction or failure of such TOSHIBA products could cause loss of human life, bodily injury or damage to property. In developing your designs, please ensure that TOSHIBA products are used within specified operating ranges as set forth in the most recent TOSHIBA products specifications. Also, please keep in mind the precautions and conditions set forth in the "Handling Guide for Semiconductor Devices," or "TOSHIBA Semiconductor Reliability Handbook" etc..
- The TOSHIBA products listed in this document are intended for usage in general electronics applications (computer, personal equipment, office equipment, measuring equipment, industrial robotics, domestic appliances, etc.). These TOSHIBA products are neither intended nor warranted for usage in equipment that requires extraordinarily high quality and/or reliability or a malfunction or failure of which may cause loss of human life or bodily injury ("Unintended Usage"). Unintended Usage include atomic energy control instruments, airplane or spaceship instruments, transportation instruments, traffic signal instruments, combustion control instruments, medical instruments, all types of safety devices, etc.. Unintended Usage of TOSHIBA products listed in this document shall be made at the customer's own risk.
- The products described in this document are subject to the foreign exchange and foreign trade laws.
- The information contained herein is presented only as a guide for the applications of our products. No responsibility is assumed by TOSHIBA CORPORATION for any infringements of intellectual property or other rights of the third parties which may result from its use. No license is granted by implication or otherwise under any intellectual property or other rights of TOSHIBA CORPORATION or others.
- The information contained herein is subject to change without notice.

Pin Assignment (Top View)

P-SSOP30-56-0.65



P-SSOP30-56-0.65



TMP47P443VDM

Pin Function

The TMP47P443V has MCU mode and PROM mode.

(1) MCU mode

The TMP47C243/443 and the TMP47P443V are pin compatible.

(2) PROM mode

Pin Name	Input / Output	Functions	Pin Name (MCU mode)
A11 to A8	Input	Address inputs	R63 to R60
A7 to A4			R53 to R50
A3 to A0			R43 to R40
I7 to I5	I/O	Data inputs / outputs	R72 to R70
I4			R90
I3 to I0			R83 to R80
\overline{CE}	Input	Chip Enable input	R92
\overline{OE}		Output Enable input	R91
VPP	Power supply	+ 12.5 V / 5 V (Program supply voltage)	\overline{RESET}
VCC		+ 5 V	VDD
VSS		0 V	VSS
\overline{HOLD}	Input	PROM mode setting pin. Be fixed to low level.	
XIN	Input	Input the clock from the external oscillator. (6 MHz typ.)	
XOUT	Input	Be pulled down to VSS level. (750 Ω typ.)	

Operational Description

The following is an explanation of hardware configuration and operation in relation to the TMP47P443V. The TMP47P443V is the same as the TMP47C243/443 except that an OTP is used instead of a built-in mask ROM.

1. Operation mode

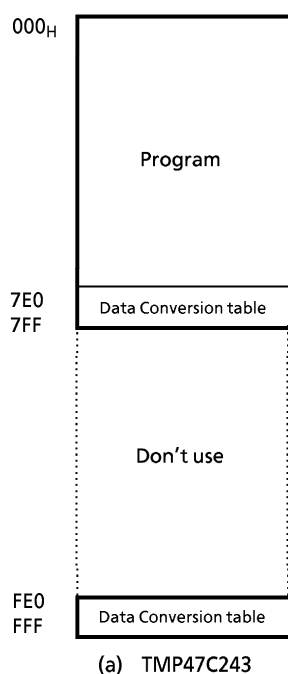
The TMP47P443V has a MCU mode and a PROM mode.

1.1 MCU mode

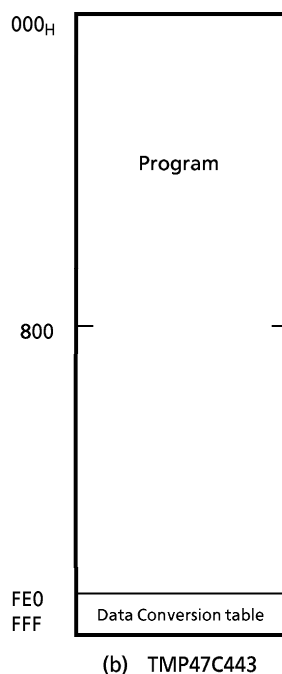
The MCU mode is set by attaching a resonator between the XIN and Xout pins. Operation in the MCU mode is the same as for the TMP47C243/443. In the TMP47P443V, RC oscillation is impossible.

1.1.1 Program Memory

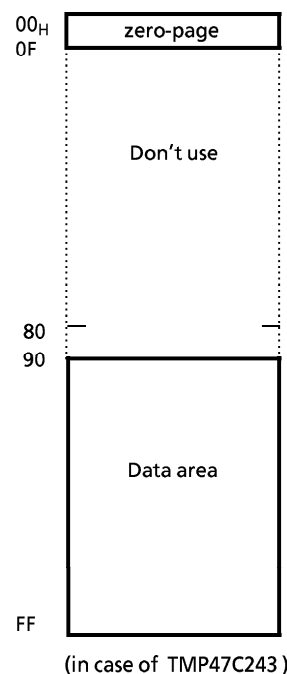
The program storage area is the same as for the TMP47C443. Data conversion tables must be set in two locations when using the TMP47P443V to check TMP47C243 operation.



(a) TMP47C243



(b) TMP47C443



(in case of TMP47C243)

Figure 1-1. Program area (ROM)

Figure 1-2. RAM addressing

1.1.2 Data Memory

The TMP47P443V has 256 × 4-bit of data memory (RAM). When the TMP47P443V is used as the TMP47C243 evaluator, programming should be performed assuming that the RAM is assigned to address 00 to 0FH and 90 to FFH as show in Figure 1-2. When the BM47C443 (emulator) is used as the TMP47C243 evaluator, it is same.

1.1.3 Input/Output Circuitry

- (1) Control pins
 TMP47P443V is the same as code SA or SG. In the TMP47P443V, RC oscillation is impossible. Connecting the resonator is required when using as evaluator of I/O code SD.
- (2) I/O Ports
 The input/output circuit except pin R72 of the TMP47P443V is the same as the TMP47C243/443. In the TMP47P443V, port option (code SA, SD or SG) of pin R72 is programably selectable. R72 or VAREF is selected by command register (bit3 of the OP0E). That should be executed over head part on the program. This bit data become dummy data at the TMP47C243/443. An undefined value is read from bit 2 of the IP07 with an input instruction when VAREF is selecting as the AD converter analog reference voltage.

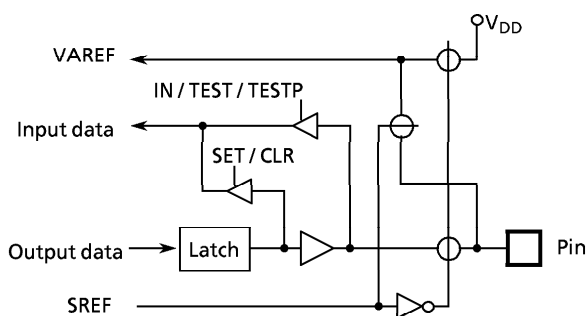
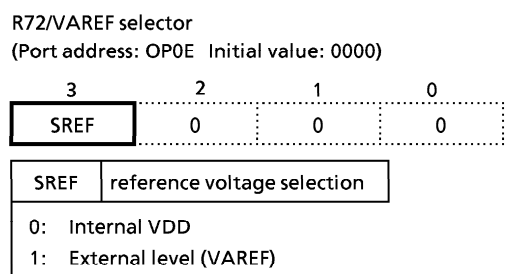


Figure 1-3. R72 (VAREF)



Note: Bit 2 to 0 must be set to "0".

Figure 1-4. Command register

1.2 PROM mode

The PROM mode is set by inputting the external clock to the XIN pin when XOUT pin is pulled down to the VSS level. In PROM mode, programs can be written or verified using a general-purpose PROM writer with an adapter socket being attached.

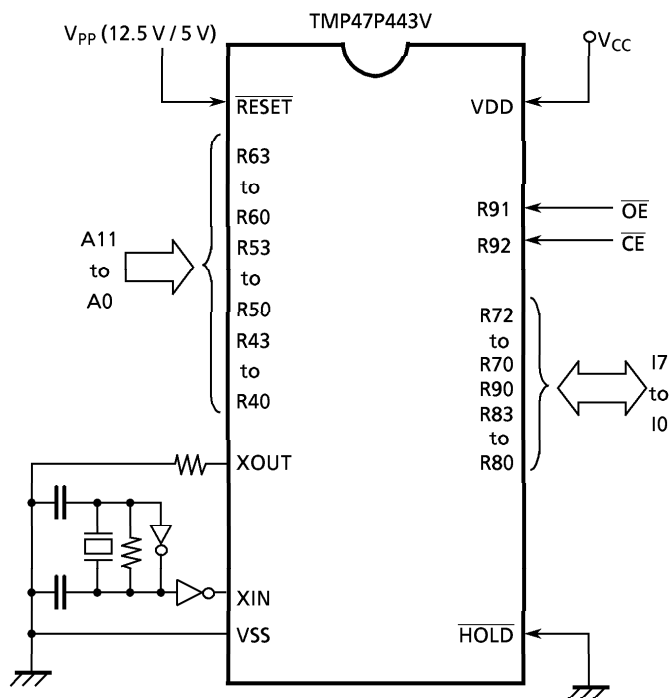


Figure 1-5. Setting for PROM mode

1.2.1 Program Writing

When writing a program, set a ROM type to "57256A" (programming voltage: 12.5 V). Since the TMP47P443V has a 4096×8 -bit internal PROM (000 to FFF_H), set a stop address of a PROM writer to "FFF_H". For a general-purpose PROM writer, use the writer which does not have or can release an electric signature mode.

Note: When the data written to OTP is same as the data of PROM programmer, there is the possibility that the security writing can not be executed, which is depended on the types of PROM programmers.

In this case, set the data of PROM programmer to "00" and execute the security writing after writing the data to OTP.

1.2.2 High Speed Programming Mode

The program time can be greatly decreased by using this high speed programming mode. The device is set up in the high speed programming mode when the programming voltage (+ 12.5 V) is applied to the V_{PP} terminal with $V_{CC} = 6 V$ and $\overline{CE} = V_{IH}$.

The programming is achieved by applying a single low level 1ms pulse the \overline{CE} input after addresses and data are stable. Then the programmed data is verified by using Program Verify Mode.

If the programmed data is not correct, another program pulse of 1ms is applied and then programmed data is verified. This should be repeated until the program operates correctly (max. 25 times).

After correctly programming the selected address, one additional program pulse with pulse width 3 times that needed for programming is applied.

When programming has been completed, the data in all addresses should be verified with $V_{CC} = V_{PP} = 5 V$.

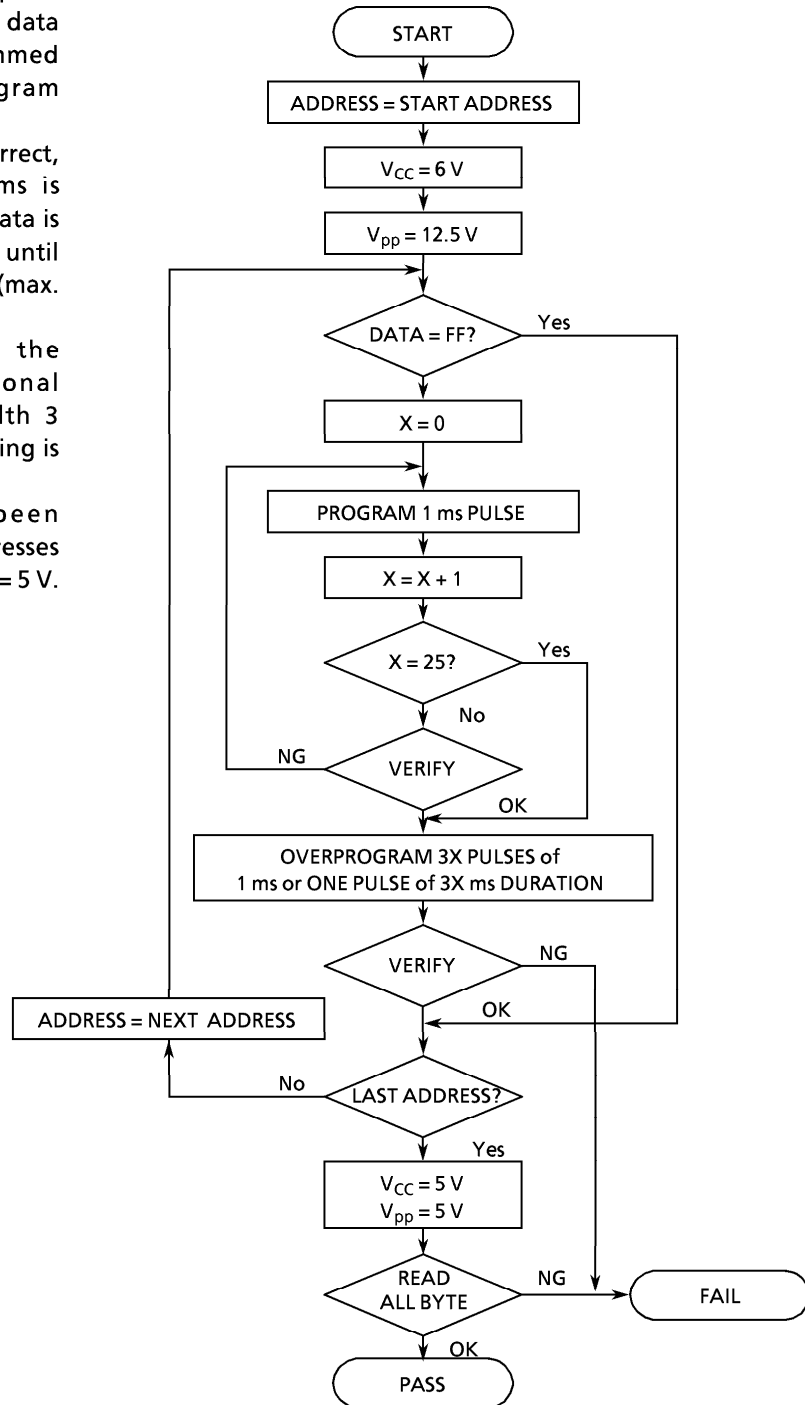


Figure 1-6. Flowchart

Electrical Characteristics

Absolute Maximum Ratings (V_{SS} = 0 V)

Parameter	Symbol	Pins	Ratings	Unit	
Supply Voltage	V _{DD}		- 0.3 to 6.5	V	
Program Voltage	V _{PP}	RESET / VPP pin	- 0.3 to 13.0	V	
Input Voltage	V _{IN}		- 0.3 to V _{DD} + 0.3	V	
Output Voltage	V _{OUT}		- 0.3 to V _{DD} + 0.3	V	
Output Current (Per 1 pin)	I _{OUT1}	Port R5, R6	30	mA	
	I _{OUT2}	Port R4, R7, R8, R9	3.2		
Output Current (Total)	Σ I _{OUT}	Port R4, R5, R6, R7, R8, R9	120	mA	
Power Dissipation [T _{opr} = 70°C]	PD		DIP	300	mW
			SOP	180	
			SSOP	145	
Soldering Temperature (time)	T _{sl}		260 (10 s)	°C	
Storage Temperature	T _{stg}		- 55 to 125	°C	
Operating Temperature	T _{opr}		- 30 to 70	°C	

Note: The absolute maximum ratings are rated values which must not be exceeded during operation, even for an instant. Any one of the ratings must not be exceeded. If any absolute maximum rating is exceeded, a device may break down or its performance may be degraded, causing it to catch fire or explode resulting in injury to the user. Thus, when designing products which include this device, ensure that no absolute maximum rating value will ever be exceeded.

Recommended Operating Conditions (V_{SS} = 0 V, T_{opr} = - 30 to 70°C)

Parameter	Symbol	Pins	Conditions	Min	Max	Unit
Supply Voltage	V _{DD}		fc = 8.0 MHz	2.7	5.5	V
			fc = 4.2 MHz	2.2		
			In the HOLD mode	2.0		
Input High Voltage	V _{IH1}	Except Hysteresis Input	In the normal operating area	V _{DD} × 0.7	V _{DD}	V
	V _{IH2}	Hysteresis Input		V _{DD} × 0.75		
	V _{IH3}		In the HOLD mode	V _{DD} × 0.9		
Input Low Voltage	V _{IL1}	Except Hysteresis Input	In the normal operating area	0	V _{DD} × 0.3	V
	V _{IL2}	Hysteresis Input			V _{DD} × 0.25	
	V _{IL3}		In the HOLD mode		V _{DD} × 0.1	
Clock Frequency	fc	XIN, XOUT	V _{DD} = 2.7 to 5.5 V	0.4	8.0	MHz
			V _{DD} = 2.2 to 5.5 V		4.2	

Note: The recommended operating conditions for a device are operating conditions under which it can be guaranteed that the device will operate as specified. If the device is used under operating conditions other than the recommended operating conditions (supply voltage, operating temperature range, specified AC/DC values etc.), malfunction may occur. Thus, when designing products which include this device, ensure that the recommended operating conditions for the device are always adhered to.

DC Characteristics		(V _{SS} = 0 V, T _{opr} = -30 to 70°C)					
Parameter	Symbol	Pins	Conditions	Min	Typ.	Max	Unit
Hysteresis Voltage	V _{HS}	Hysteresis Input		-	0.7	-	V
Input Current	I _{IN1}	RESET, HOLD	V _{DD} = 5.5 V, V _{IN} = 5.5 V / 0 V	-	-	±2	μA
	I _{IN2}	Open drain output ports					
Input Resistance	R _{IN}	RESET		100	220	450	kΩ
Output Leakage Current	I _{LO}	Open drain output ports	V _{DD} = 5.5 V, V _{OUT} = 5.5 V	-	-	2	μA
Output Low Voltage	V _{OL}	Port R4, R7, R8, R9	V _{DD} = 4.5 V, I _{OL} = 1.6 mA	-	-	0.4	V
			V _{DD} = 2.2 V, I _{OL} = 20 μA	-	-	0.1	
Output Low Current	I _{OL1}	Port R5, R6	V _{DD} = 4.5 V, V _{OL} = 1.0 V	7	20	-	mA
Supply Current (in the Normal operating mode)	I _{DD}		V _{DD} = 5.5 V, f _c = 4 MHz	-	2	4	mA
			V _{DD} = 3.0 V, f _c = 4 MHz	-	1	2	
			V _{DD} = 3.0 V, f _c = 400 kHz	-	0.5	1	
Supply Current (in the HOLD operating mode)	I _{DDH}		V _{DD} = 5.5 V	-	0.5	10	μA

Note 1: Typ. values show those at T_{opr} = 25°C, V_{DD} = 5 V.

Note 2: Input Current I_{IN1}: The current through resistor is not included.

Note 3: Supply Current: The analog supply current (I_{REF}) is not included.

Note 4: Supply Current: V_{IN} = 5.3 V / 0.2 V (V_{DD} = 5.5 V), 2.8 V / 0.2 V (V_{DD} = 3.0 V)

AD Conversion Characteristics	(T _{opr} = -30 to 70°C)
-------------------------------	----------------------------------

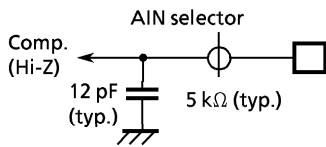
Parameter	Symbol	Conditions	Min	Typ.	Max	Unit
Analog Reference Voltage	V _{AREF}		V _{DD} - 1.5	-	V _{DD}	V
Analog Reference Voltage Range	ΔV _{AREF}	V _{AREF} - V _{SS}	2.7	-	-	V
Analog Input Voltage	V _{AIN}		V _{SS}	-	V _{DD}	V
Analog Supply current	I _{REF}		-	0.5	1.0	mA
Nonlinearity Error		V _{DD} = 2.7 to 5.5 V, V _{AREF} = V _{DD} ± 0.001 V V _{SS} = ± 0.001 V	-	-	±1	LSB
Zero Point Error			-	-	±1	
Full Scale Error			-	-	±1	
Total Error			-	-	±2	

AC Characteristics ($V_{SS} = 0\text{ V}$, $T_{opr} = -30\text{ to }70^\circ\text{C}$)

Parameter	Symbol	Conditions	Min	Typ.	Max	Unit	
Instruction Cycle Time	tcy	$V_{DD} = 2.7\text{ to }5.5\text{ V}$	1.0	-	20	μs	
		$V_{DD} = 2.2\text{ to }5.5\text{ V}$	1.9				
High level clock pulse width	t_{WCH}	For external clock (XIN input)	$V_{DD} \geq 2.7\text{ V}$	-	-	ns	
Low level clock pulse width	t_{WCL}		$V_{DD} < 2.7\text{ V}$				120
			$V_{DD} \geq 2.7\text{ V}$				60
			$V_{DD} < 2.7\text{ V}$				120
AD Conversion Time	t_{ADC}		-	24 tcy	-	μs	
AD Sampling Time	t_{AIN}		-	2 tcy	-		
Shift data Hold Time	t_{SDH}		$0.5\text{ tcy} - 0.3$	-	-	μs	

Note 1: AD conversion timing:

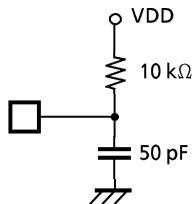
Internal circuit for pins AIN0 to 7



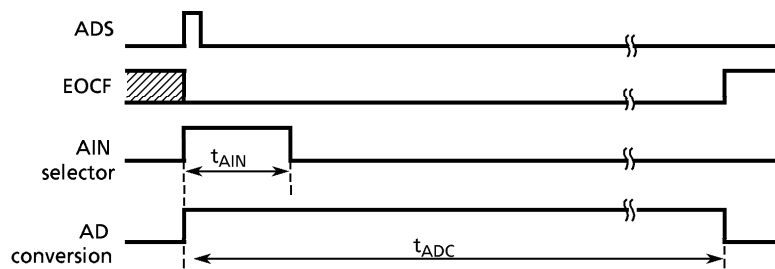
* Electrical charge must be loaded into the built-in condensen during t_{AIN} for normal AD conversion.

Note 2: Shift data Hold Time:

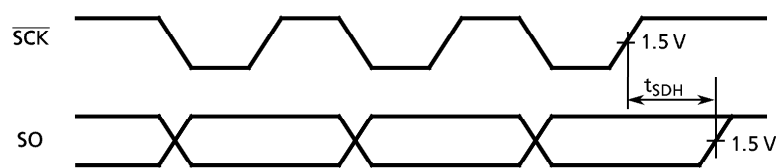
External circuit for pins \overline{SCK} and SO



AD conversion timing



Serial port (completed of transmission)



Zero-Cross Detection Characteristics ($V_{SS} = 0\text{ V}$, $T_{opr} = -30\text{ to }70^\circ\text{C}$)

Characteristics are equivalent to the TMP47C243/443's.

Recommended Oscillating Conditions ($V_{SS} = 0\text{ V}$, $V_{DD} = 2.2\text{ to }5.5\text{ V}$, $T_{opr} = -30\text{ to }70^\circ\text{C}$)

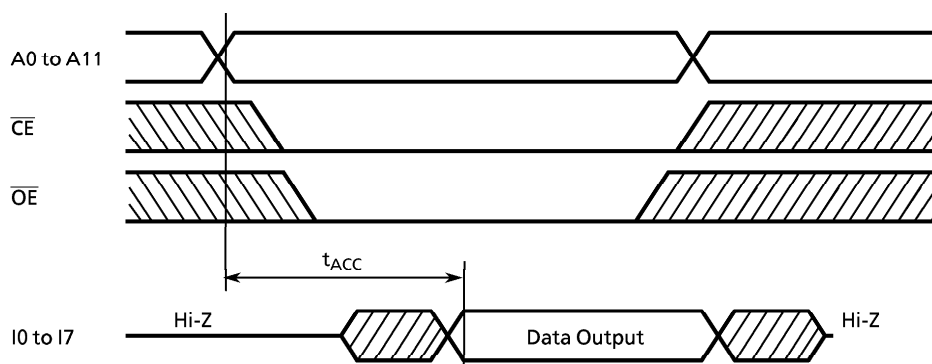
Recommended oscillating conditions of the TMP47P443V are equal to the TMP47C243/443's but RC oscillation is impossible.

DC/AC Characteristics

(V_{SS} = 0 V)

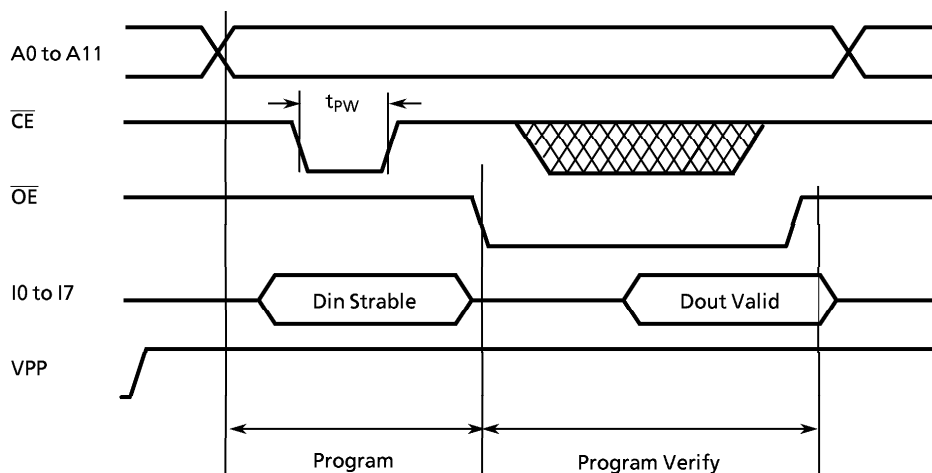
(1) Read Operation

Parameter	Symbol	Condition	Min	Typ.	Max	Unit
Output Level High Voltage	V _{IH4}		V _{CC} × 0.7	–	V _{CC}	V
Output Level Low Voltage	V _{IL4}		0	–	V _{CC} × 0.3	V
Supply Voltage	V _{CC}		4.75	–	6.0	V
Programming Voltage	V _{PP}					
Address Access Time	t _{ACC}	V _{CC} = 5.0 ± 0.25 V	0	–	350	ns

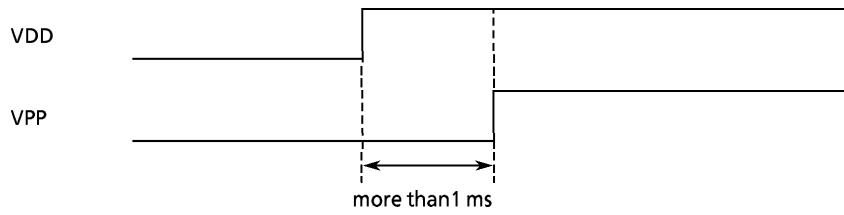


(2) High Speed Programming Operation

Parameter	Symbol	Condition	Min	Typ.	Max	Unit
Input High Voltage	V _{IH4}		V _{CC} × 0.7	–	V _{CC}	V
Input Low Voltage	V _{IL4}		0	–	V _{CC} × 0.3	V
Supply Voltage	V _{CC}		4.75	–	6.0	V
V _{PP} Power Supply Voltage	V _{PP}		12.0	12.5	13.0	V
Programming Pulse Width	t _{PW}	V _{CC} = 6.0 ± 0.25 V	0.95	1.0	1.05	ms



*Note: There are some PROM programmer types which cannot program OTP.
In TMP47P443V, VPP pin is also used as RESET pin. To set a mode, REST/VPP pin must be set to "low" during 1 ms and more after the rising of power-on and the rising of VDD electrical power.*



Recommended EPROM programmer

TYPE	
R4945	(ADVANTEST)
UNISITE	(DATA I/O)
AF - 9706	(ANDO)
PECKER - 11	(AVAL DATA)