


SANYO Semiconductors
DATA SHEET

LE25FW203A — CMOS IC 2M-bit (256K×8) Serial Flash Memory 30MHz SPI Bus

Overview

The LE25FW203A is an onboard programmable flash memory device with a 256K×8-bit configuration. It uses a single 3.0V power supply and supports the serial interface. It has three erase functions depending on the size of memory area in which the data is to be erased: the chip erase function, the sector (64K bytes) erase function, and a page (256 bytes) erase function. A page program method is supported for data writing and it can program any amount of data from 1 to 256 bytes. The page program time depends on the number of bytes programmed and the IC provides a high-speed program time of 1.5ms (typ) when programming 256 bytes at one time. Moreover, equipped with a page write function that allows anywhere from 1 to 256 bytes of data in a page to be rewritten, this device is optimal for applications that perform small-scale rewriting.

Features

- Read/write operations enabled by single 3.0V power supply: 2.7 to 3.6V supply voltage range
- Operating frequency : 30MHz
- Temperature range : 0 to 70°C
- Serial interface : SPI mode 0, mode 3 supported
- Sector size : 256 bytes/page sector, 64K bytes/sector
- Page erase, sector erase, chip erase functions
- Page program function (1 to 256 bytes/page), Page write function (1 to 256 bytes/page)
- Hardware protect function (lower 256 pages)
- Hardware reset function

Continued on next page.

* This product is licensed from Silicon Storage Technology, Inc. (USA), and manufactured and sold by SANYO Semiconductor Co., Ltd.

■ Any and all SANYO Semiconductor Co.,Ltd. products described or contained herein are, with regard to "standard application", intended for the use as general electronics equipment (home appliances, AV equipment, communication device, office equipment, industrial equipment etc.). The products mentioned herein shall not be intended for use for any "special application" (medical equipment whose purpose is to sustain life, aerospace instrument, nuclear control device, burning appliances, transportation machine, traffic signal system, safety equipment etc.) that shall require extremely high level of reliability and can directly threaten human lives in case of failure or malfunction of the product or may cause harm to human bodies, nor shall they grant any guarantee thereof. If you should intend to use our products for applications outside the standard applications of our customer who is considering such use and/or outside the scope of our intended standard applications, please consult with us prior to the intended use. If there is no consultation or inquiry before the intended use, our customer shall be solely responsible for the use.

■ Specifications of any and all SANYO Semiconductor Co.,Ltd. products described or contained herein stipulate the performance, characteristics, and functions of the described products in the independent state, and are not guarantees of the performance, characteristics, and functions of the described products as mounted in the customer's products or equipment. To verify symptoms and states that cannot be evaluated in an independent device, the customer should always evaluate and test devices mounted in the customer's products or equipment.

SANYO Semiconductor Co., Ltd.

TOKYO OFFICE Tokyo Bldg., 1-10, 1 Chome, Ueno, Taito-ku, TOKYO, 110-8534 JAPAN

LE25FW203A

Continued from preceding page.

- Highly reliable read/write
 - Number of rewrite times: 10^5 times
 - Page erase time : 10ms (typ.), 20ms (max.), Number of rewrite times: 10^4 times or less
 - : 25ms (typ.), 300ms (max.), Number of rewrite times: 10^5 times or less
 - Sector erase time : 30ms (typ.), 500ms (max.)
 - Chip erase time : 200ms (typ.), 3s (max.)
 - Page program time : 1.5ms/256 bytes (typ.), 2.5ms/256 bytes (max.)
 - Page write time : 11ms (typ.), 22.5ms (max.), Number of rewrite times: 10^4 times or less
 - : 25ms (typ.), 300ms (max.), Number of rewrite times: 10^5 times or less
- Status functions
 - Ready/busy information
- Data retention period : 20 years
- Package : LE25FW203ATT MSOP8 (225mil)

Package Dimensions

unit:mm (typ)

3276

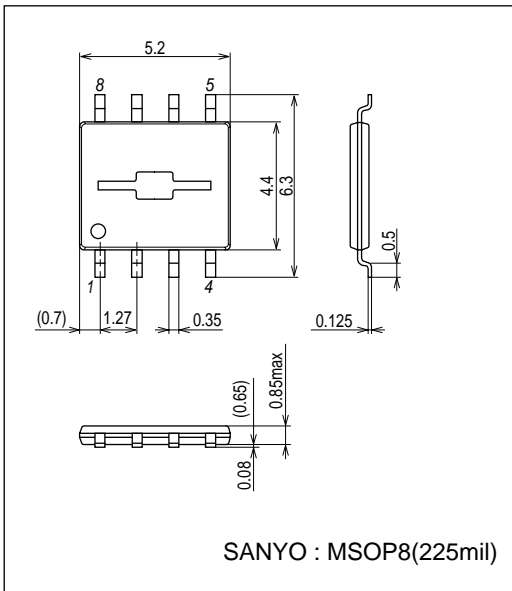


Figure 1 Pin Assignment

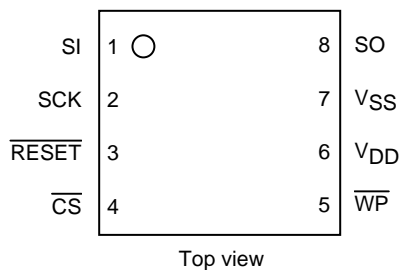


Figure 2 Block Diagram

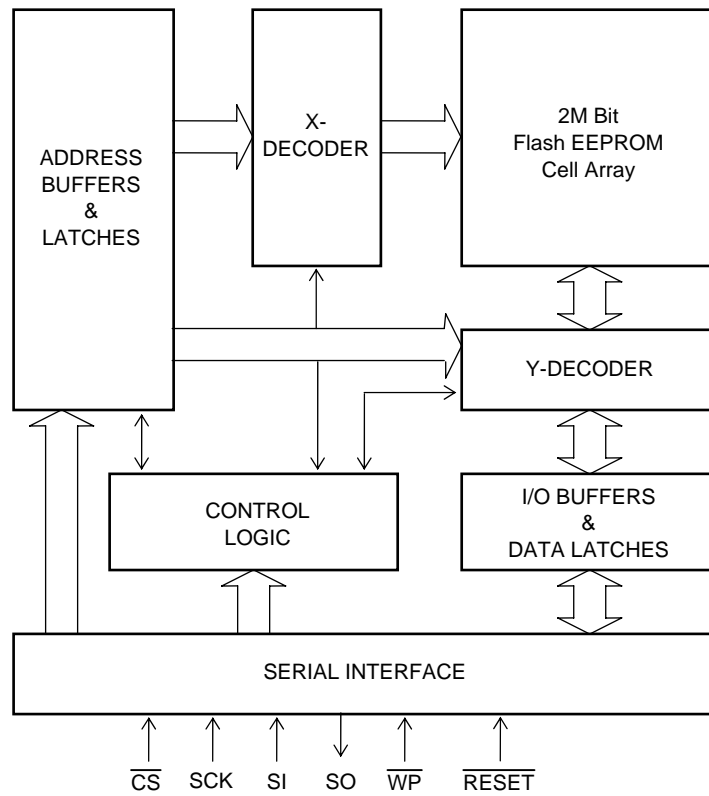


Table 1 Pin Description

Symbol	Pin Name	Description
SCK	Serial clock	This pin controls the data input/output timing. The input data and addresses are latched synchronized to the rising edge of the serial clock, and the data is output synchronized to the falling edge of the serial clock.
SI	Serial data input	The data and addresses are input from this pin, and latched internally synchronized to the rising edge of the serial clock.
SO	Serial data output	The data stored inside the device is output from this pin synchronized to the falling edge of the serial clock.
$\overline{\text{CS}}$	Chip select	The device becomes active when the logic level of this pin is low; it is deselected and placed in standby status when the logic level of the pin is high.
$\overline{\text{WP}}$	Write protect	Lower 256 pages are protected when the logic level of this pin is low.
$\overline{\text{RESET}}$	RESET	The device resets when the logic level of this pin is low. However, reset is disabled when write (erase, program, or page write) are being internally executed by the device.
V_{DD}	Power supply	This pin supplies the 2.7 to 3.6V supply voltage.
V_{SS}	Ground	

LE25FW203A

Table 2 Command Settings

Command	1st bus cycle	2nd bus cycle	3rd bus cycle	4th bus cycle	5th bus cycle	6th bus cycle	Nth bus cycle
Read	03h	A23-A16	A15-A8	A7-A0			
	0Bh	A23-A16	A15-A8	A7-A0	X		
Page erase	DBh	A23-A16	A15-A8	X			
Sector erase	D8h	A23-A16	X	X			
Chip erase	C7h						
Page program	02h	A23-A16	A15-A8	A7-A0	PD *1	PD *1	PD *1
Page write	0Ah	A23-A16	A15-A8	A7-A0	PD *1	PD *1	PD *1
Write enable	06h						
Write disable	04h						
Power down	B9h						
Status register read	05h						
Read silicon ID	9Fh *2						
Exit power down mode	ABh						

Explanatory notes for Table 2

X = don't care, h = Hexadecimal notation, A23-A18 = don't care for all commands

Even if \overline{CS} is raised for longer than the bus cycle given in the command settings table, the command will be recognized. However, \overline{CS} must be raised between one bus cycle and the next.

*1. PD: Program data. Input any number of bytes of data from 1 to 256 bytes in 1-byte units.

*2. After the first bus cycle, Silicon ID repeatedly outputs 62h (manufacturer code), 16h (device code), and 00h (dummy code).

Device Operation

The LE25FW203A features electrical on-chip erase functions using a single 3.0V power supply, that have been added to the EPROM functions of the industry standard that support serial interfaces. Interfacing and control are facilitated by incorporating the command registers inside the chip. The read, erase, program and other required functions of the device are executed through the command registers.

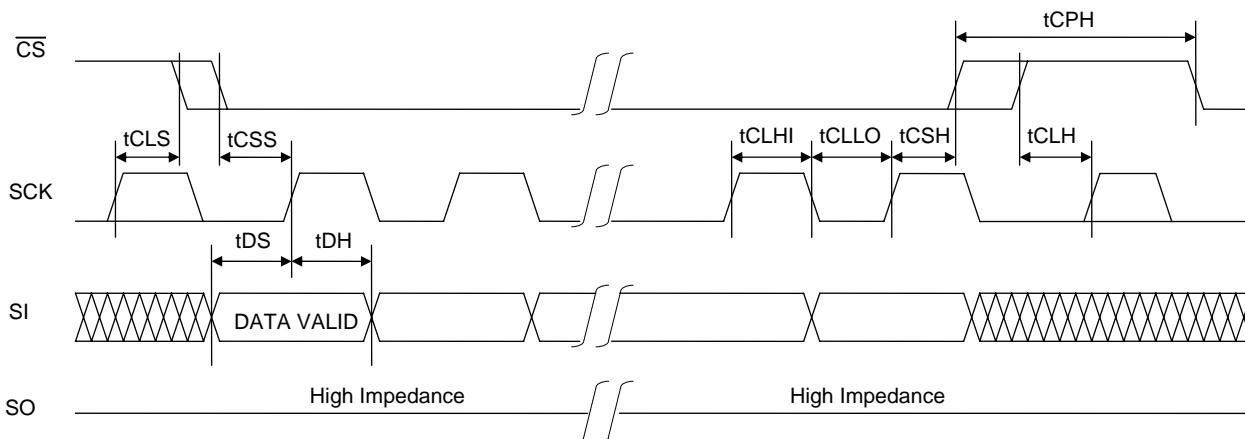
The command addresses and data are latched for program, erase and write operations.

Figures 3 and 4 show the timing waveforms of the serial data input.

First, at the falling \overline{CS} edge the device is selected, and serial input is enabled for the commands, addresses, etc. These inputs are introduced internally starting with bit 7 in synchronization with the rising SCK edge. At this time, output pin is in the high-impedance state. The output pin is placed in the low-impedance state when the data is output starting with bit 7 synchronized to the falling clock edge during read, status register read and silicon ID.

The LE25FW203A supports both serial interface SPI mode 0 and SPI mode 3. At the falling \overline{CS} edge, SPI mode 0 is automatically selected if the logic level of SCK is low, and SPI mode 3 is automatically selected if the logic level of SCK is high.

Figure 3 Serial Input Timing

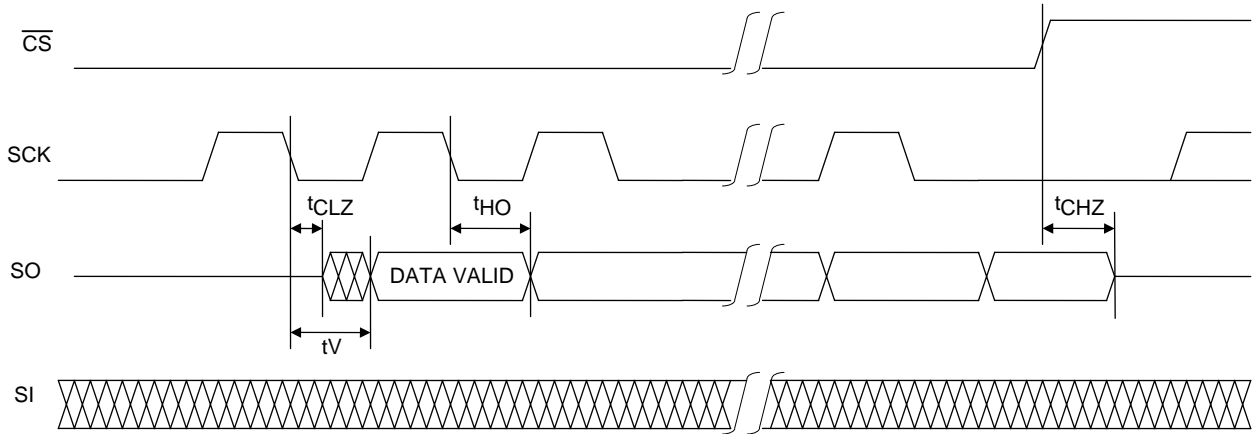


SPI Mode definition

* SPI mode 0: SCK is low logic level when \overline{CS} falls

* SPI mode 3: SCK is high logic level when \overline{CS} falls

Figure 4 Serial Output Timing



Command Definition

"Table 2 Command Settings" provides a list and overview of the commands. A detailed description of the functions and operations corresponding to each command is presented below.

1. Read

Figure 5 shows the read timing waveforms.

There are two read commands, the 4 bus cycle read and 5 bus cycle read. Consisting of the first through fourth bus cycles, the 4 bus cycle read inputs the 24-bit address following (03h) and the data in the designated address is output synchronized to SCK. The data is output on the falling clock edge of fourth bus cycle bit 0.

Consisting of the first through fifth bus cycles, the 5 bus cycle read command inputs the 24-bit addresses and 8 dummy bits following (0Bh). The data is output using the falling clock edge of fifth bus cycle bit 0. The only difference between these two commands is whether the dummy bits in the fifth bus cycle are input.

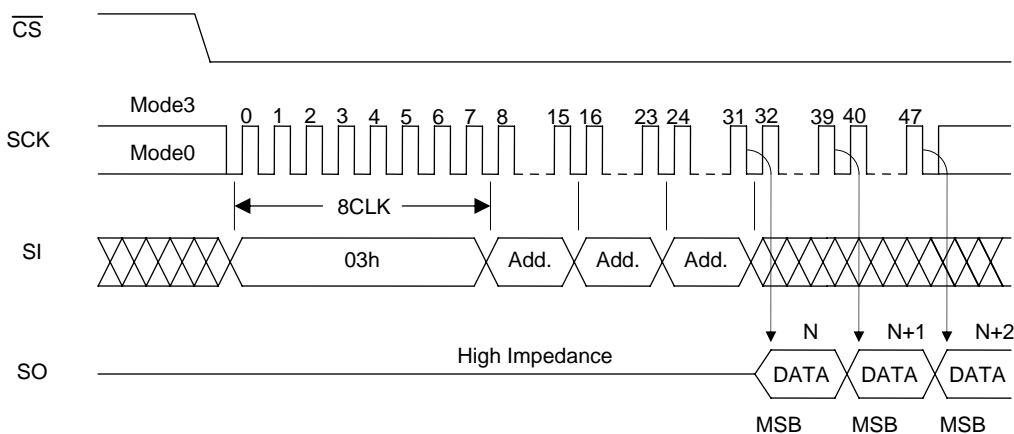
While SCK is being input, the address is automatically incremented inside the device and the corresponding data is output in sequence.

If the SCK input is continued after the data up to the highest address (3FFFFh) is output, the internal address returns to the lowest address (00000h) and data output is continued.

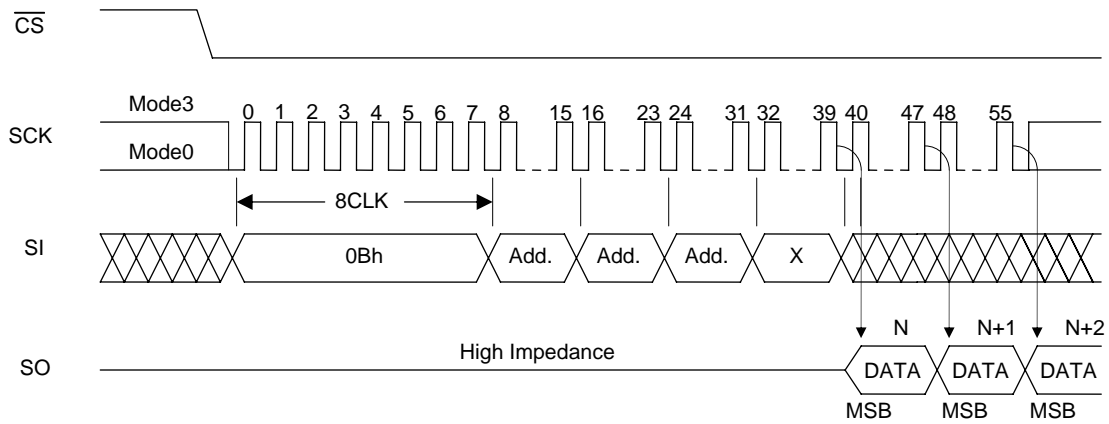
By setting the logic level of CS to high, the device is deselected, and the read cycle ends. While the device is deselected, the output pin is in a high-impedance state.

Figure 5: Read

4 Bus Read



5 Bus Read



2. Status Registers

Device status can be detected using status registers. Table 3 gives the contents of status registers.

Table 3 Status Registers

Bit	Name	Logic	Function	Power-on Time Information
Bit0	RDY	0	Ready	0
		1	Erase/Program/Write	
Bit1	WEN	0	Write disabled	0
		1	Write enabled	
Bit2		0	Reserved bits	0
Bit3		0	Reserved bits	0
Bit4		0	Reserved bits	0
Bit5		0	Reserved bits	0
Bit6		0	Reserved bits	0
Bit7		0	Reserved bits	0

2-1. Status Register Read

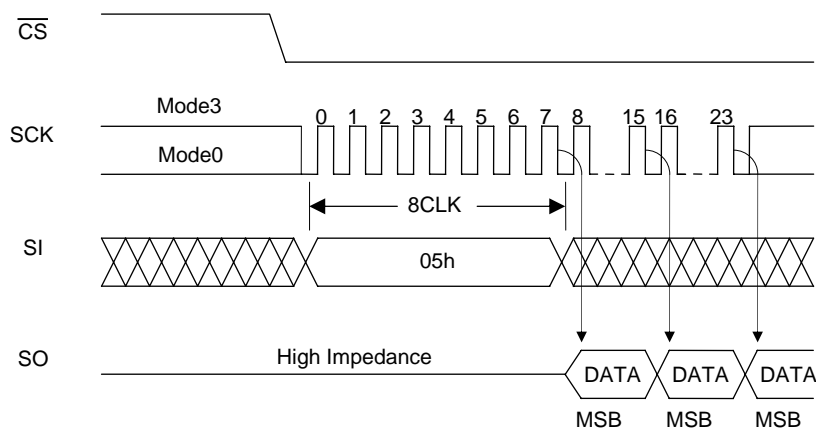
The contents of the status registers can be read using the status register read command. This command can be executed even during the following operations.

- Page erase
- Sector erase
- Chip erase
- Page program
- Page write

Figure 6 shows the timing waveforms of the status register read.

Consisting only of the first bus cycle, the status register read command outputs the contents of the status register from bit 7 synchronized to the falling edge of the clock (SCK) when (05h) is input. If the clock (SCK) is continued after data up to RDY (bit 0) are output, the data is output by returning to the bit 7. Data is output from the falling clock of the first bus cycle bit 0.

Figure 6 Status Register Read



RDY (bit 0)

The RDY register is for detecting the write (program, erase and page write) end. When it is "1", the device is in a busy state, and when it is "0", it means that write is completed.

WEN (bit 1)

The WEN register is for detecting whether the device can perform write operations. If it is set to "0", the device will not perform the write operation even if the write command is input. If it is set to "1", the device can perform write operations in any area that is not protected.

WEN can be controlled using the write enable and write disable commands. By inputting the write enable command (06h), WEN can be set to "1"; by inputting the write disable command (04h), it can be set to "0." In the following states, WEN is automatically set to "0" in order to protect against unintentional writing.

- At power-on
- Upon completion of page erase, sector erase or chip erase
- Upon completion of page program
- Upon completion of page write
- After hardware reset operations

* If a write operation has not been performed inside the LE25FW203A because, for instance, the command input for any of the write operations (page erase, sector erase, chip erase, page program, or page write) has failed or a write operation has been performed for a protected address, WEN will retain the status established prior to the issue of the command concerned. Furthermore, its state will not be changed by a read operation.

Bit2, Bit3, Bit4, Bit5, Bit6, Bit7
These are reserved bits.

3. Write Enable

Write enable command sets the status register WEN to "1." The write enable command must be issued before performing any of the operations listed below.

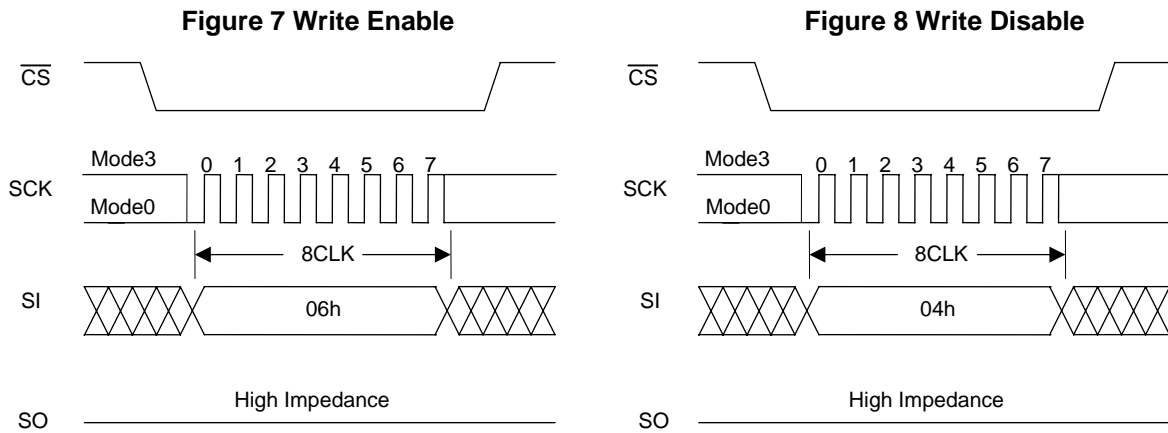
- Page erase
- Sector erase
- Chip erase
- Page program
- Page write

Figure 7 shows the timing waveforms. The write enable command consists only of the first bus cycle, and it is initiated by inputting (06h).

4. Write Disable

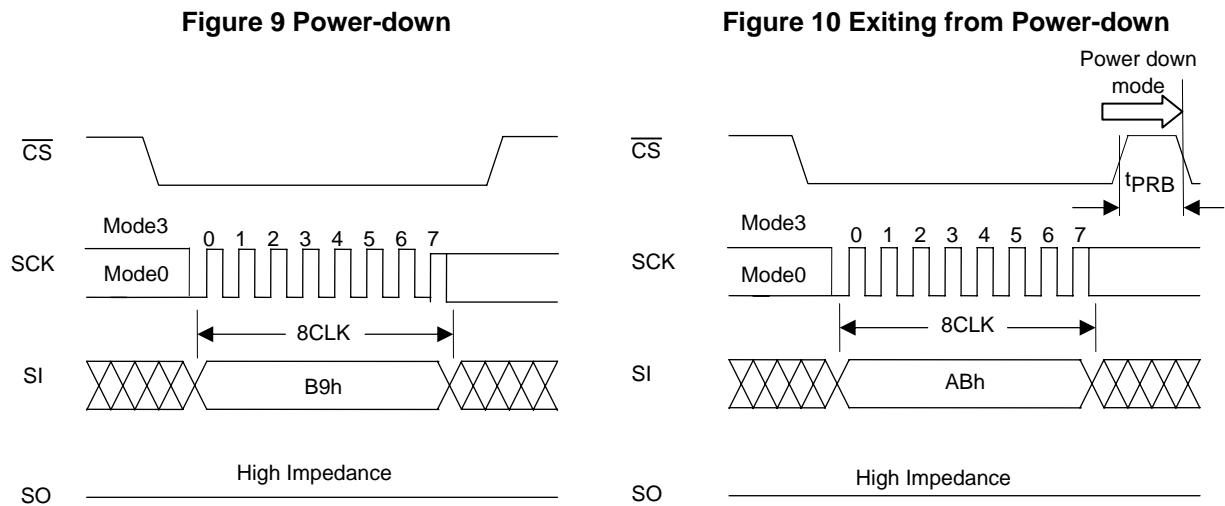
The write disable command sets status register WEN to “0” to prohibit unintentional writing. Figure 8 shows the timing waveforms when the write disable operation is performed. The write disable command consists only of the first bus cycle, and it is initiated by inputting (04h).

To exit write disable status (WEN = 0), set WEN to 1 using the write enable command (06h).



5. Power-down

The power-down command sets all the commands, with the exception of the command to exit from power-down, to the acceptance prohibited state (power-down). Figure 9 shows the timing waveforms. The power-down command consists only of the first bus cycle, and it is initiated by inputting (B9h). The power-down state is exited using the power-down exit command. Figure 10 shows the timing waveforms of the power-down exit command. The power-down exit command consists only of the first bus cycle, and it is initiated by inputting (ABh). Power-down state is exited also when power is tuned off or when hardware reset is performed.



6. Page Erase

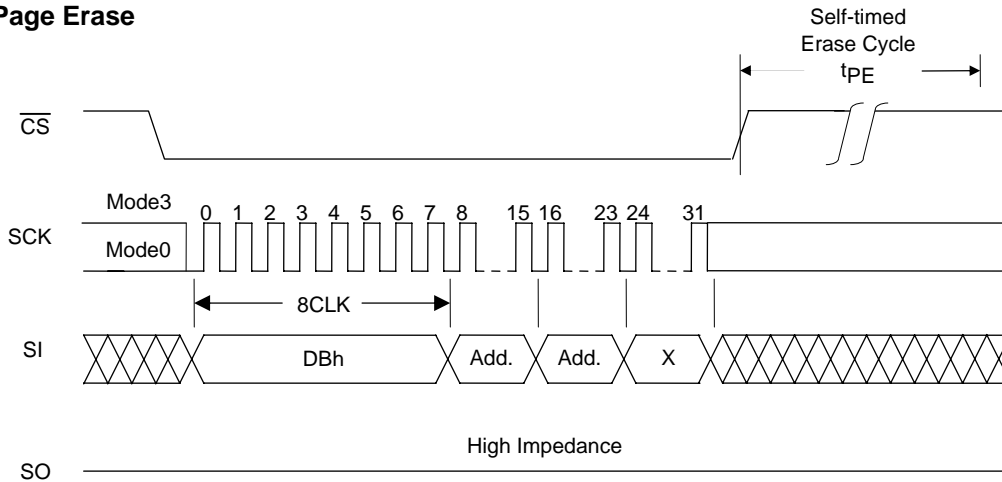
Page erase operation sets the memory cell data in any pages to “1.” A page consists of 256 bytes. Figure 11 shows the timing waveforms, and Figure 21 shows a page erase flowchart.

The page erase command consists of the first through fourth bus cycles, and it is initiated by inputting the 24-bit addresses following (DBh). Addresses A17 to A8 are valid, and all others are “don’t care.”

After the command has been input, the erase operation starts from the rising edge of \overline{CS} , and it ends automatically under the control of internal timer. Also, end of erase operation can be detected using status register.

Page erase time depends on the number of rewrites performed. The page erase time is 10ms (typ)/20ms (max) for up to 10^4 rewrites, and 25ms (typ)/300ms (max) for up to 10^5 rewrites.

Figure 11 Page Erase



7. Sector Erase

Sector erase operation sets the memory cell data in any sectors to “1.” A sector consists of 64K bytes. Figure 12 shows the timing waveforms, and Figure 21 shows an erase flowchart.

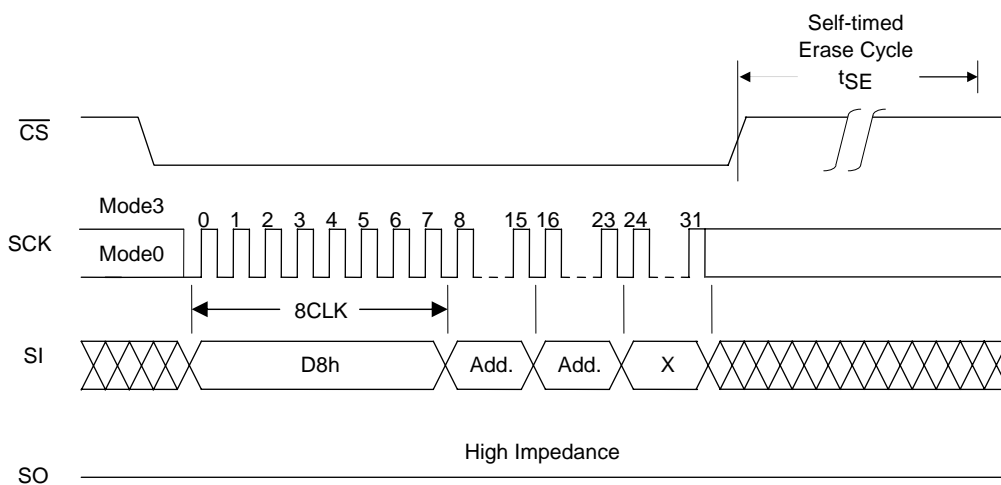
The sector erase command consists of the first through fourth bus cycles, and it is initiated by inputting the 24-bit addresses following (D8h). Addresses A17 and A16 are valid, and all others are “don’t care.”

After the command has been input, the erase operation starts from the rising edge of \overline{CS} , and it ends automatically under the control of internal timer. Also, end of erase operation can be detected using status register.

Sector erase time is 30ms (typ)/500ms (max).

If the lower 256 pages are being protected by setting the \overline{WP} pin to low logic level, the sector erase operation cannot be performed on sectors including the lower 256 pages.

Figure 12 Sector Erase



8. Chip Erase

Chip erase operation sets the memory cell data in all the sectors to “1.” Figure 13 shows the timing waveforms, and Figure 21 shows an erase flowchart.

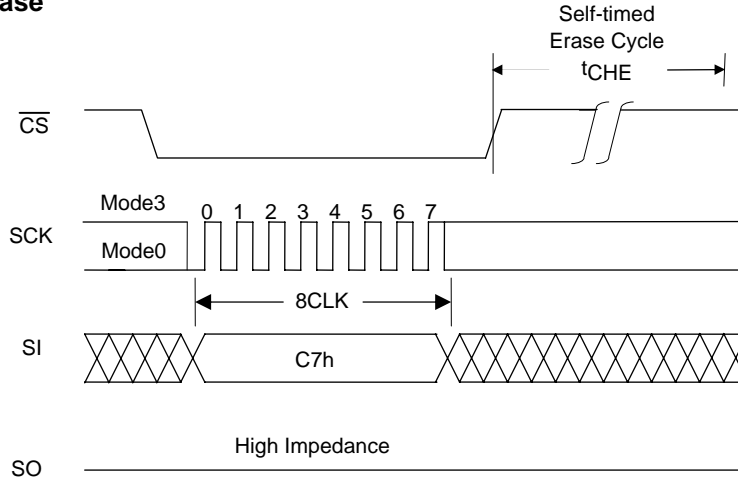
The chip erase command consists only of the first bus cycle, and it is initiated by inputting (C7h).

After the command has been input, the erase operation starts from the rising edge of CS, and it ends automatically under the control of internal timer. Also, end of erase operation can be detected using status register.

Chip erase time is 200ms (typ)/3s (max).

If the lower 256 pages are being protected by setting the WP pin to low logic level, the chip erase operation cannot be performed.

Figure 13 Chip Erase



9. Page Program

Page program operation can be used to program any number of bytes from 1 to 256 bytes for the erased pages (page addresses: A17 to A8).

Figure 14 shows the timing waveforms, and Figure 22 shows a program flowchart.

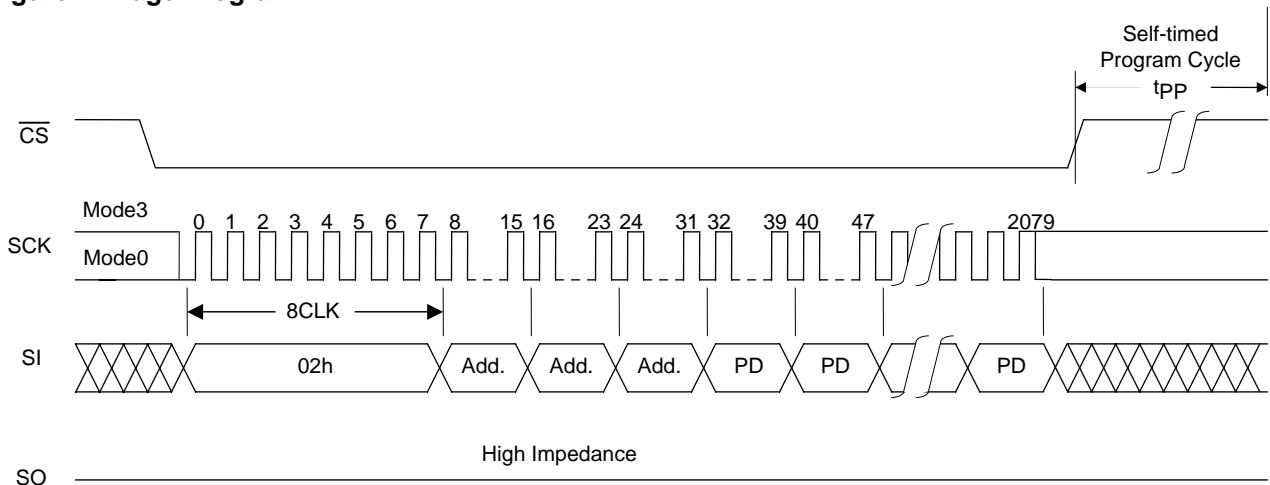
After \overline{CS} is set low, the command code (02H) is input followed by the 24-bit addresses. Addresses A17 to A0 are valid. After this, the program data can be loaded until CS rises. If the loaded data exceeds 256 bytes, the 256 bytes loaded last are programmed.

Also, if the address of data being loaded reaches the last address of a page (A7 to A0: FFh), the device returns to the start address of the same page (A7 to A0: 00h).

Program data must be loaded in 1-byte units. The program operation is not performed if data is loaded in less than byte units and \overline{CS} is set high.

The page program time depends on the number of bytes programmed. When programming 256 bytes, the page program time is 1.5ms (typ)/2.5ms (max).

Figure 14 Page Program

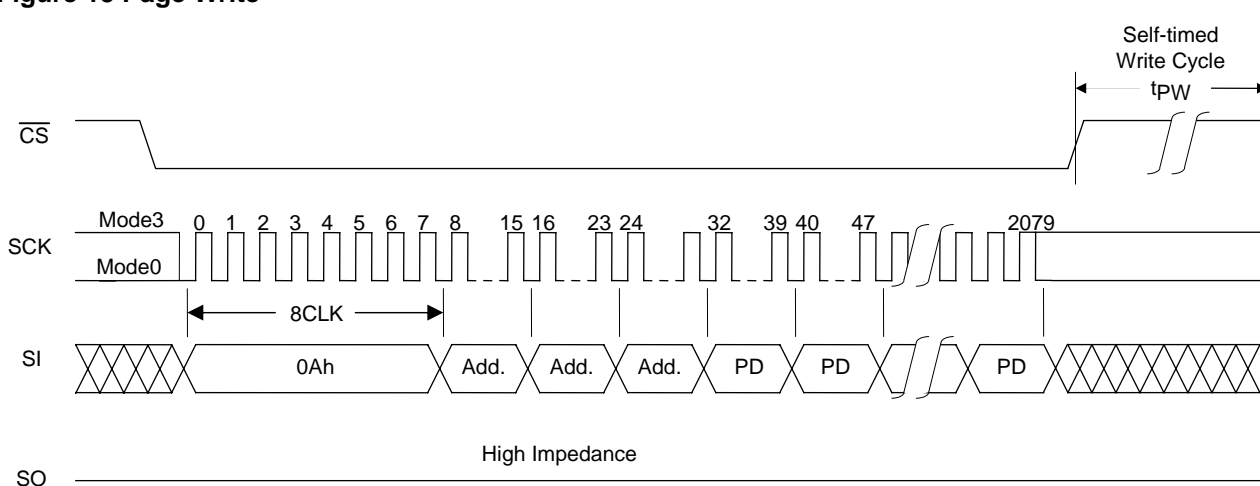


10. Page Write

Page write operation can be used to rewrite any number of bytes of data from 1 to 256 bytes in a page (page addresses: A17 to A8) without executing erase operation beforehand. Figure 15 shows the timing waveforms, and Figure 23 shows a flowchart. After \overline{CS} is set low, the command code (0AH) is input followed by the 24-bit addresses. Addresses A17 to A0 are valid. After this, re-write data can be loaded until \overline{CS} rises. If loaded data exceeds 256 bytes, the 256 bytes loaded last are programmed. If the loaded data is less than 256 bytes, data not loaded on the same page is not rewritten. In addition, if the address of data being loaded reaches the last address of a page (A7 to A0: FFh), the device returns to the start address of the same page (A7 to A0: 00h).

Rewrite data must be loaded in 1-byte units. The rewrite operation is not performed if data is loaded in less than byte units and \overline{CS} is set high. The page write time depends on the number of rewrites. The page write time is 11ms (typ)/22.5ms (max) for up to 10^4 rewrites, or 25ms (typ)/300ms (max) for up to 10^5 rewrites.

Figure 15 Page Write



11. Silicon ID Read

Silicon ID read allows manufacturer code and device code information to be read. Figure 16 shows the timing waveforms, and Table 6 gives the silicon ID codes.

Table 6 Silicon ID Codes

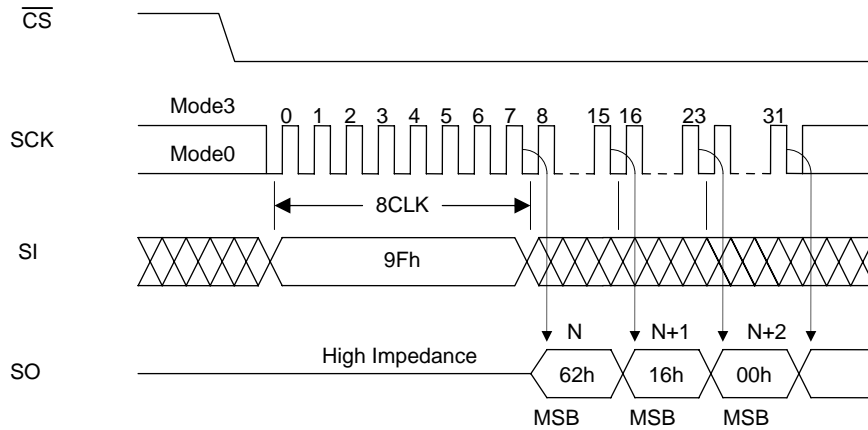
	Output Code
Manufacturer code	62h
Device code	16h
Dummy code	00h

The silicon ID read command consists of only the first bus cycle. If (9Fh) is input, the manufacturer code 62h, device code 16h, and dummy code 00h are output in synchronization with the falling edge of SCK. If SCK input continues, the IC repeatedly outputs the data described above.

Data output is performed from the falling edge of clock at the first bus cycle, bit 0. Silicon ID read is terminated by making \overline{CS} go to high logic level.

The silicon ID read command is not accepted during write operations.

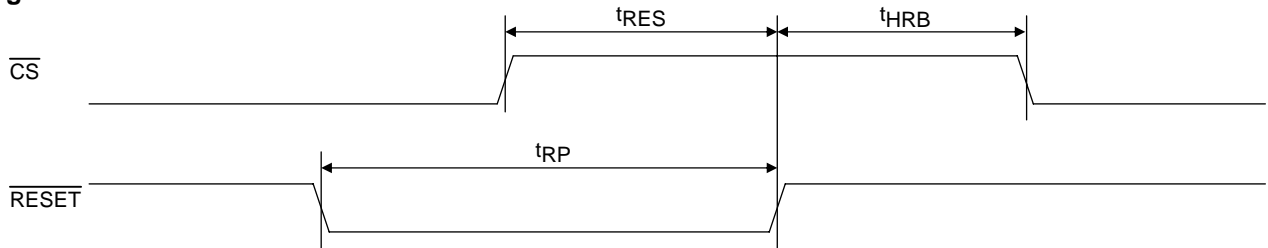
Figure 16 Silicon ID Read



12. Hardware Reset

A hardware reset can be performed by setting the \overline{RESET} pin to low logic level. Figure 17 shows the timing waveforms. The hardware reset is disabled while write operation (erase, program, or page write) is being executed in the device. The pin SO is held in the high-impedance state while the device is in the reset mode.

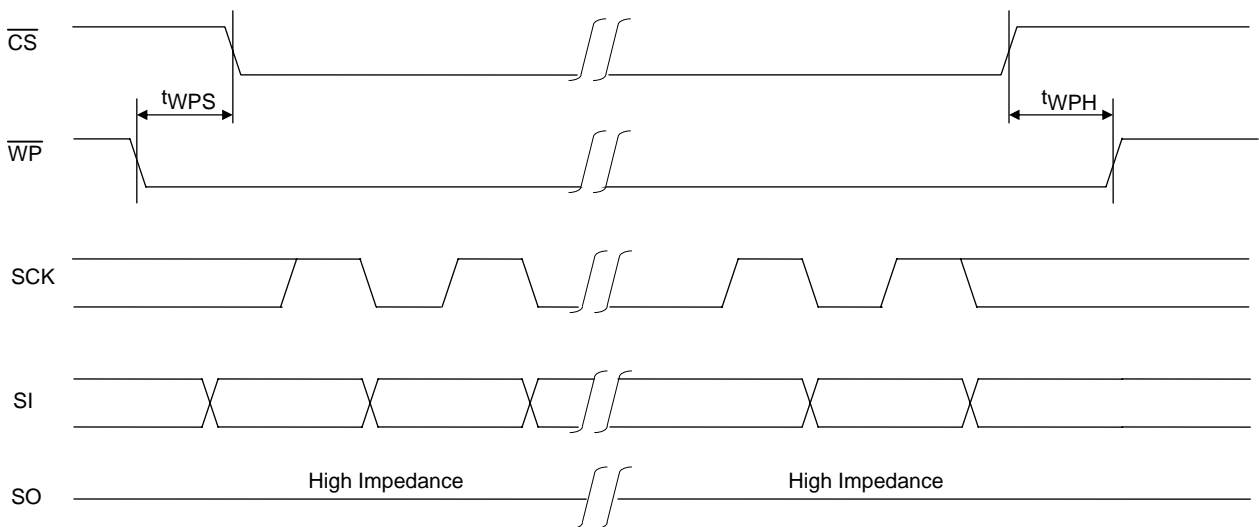
Figure 17 Hardware Reset



13. Hardware Data Protection

Lower 256 pages can be protected by setting the \overline{WP} pin to low logic level. Figure 18 shows the timing waveforms. In addition, the device has an internal power on reset function to prevent unintentional write operations at power on.

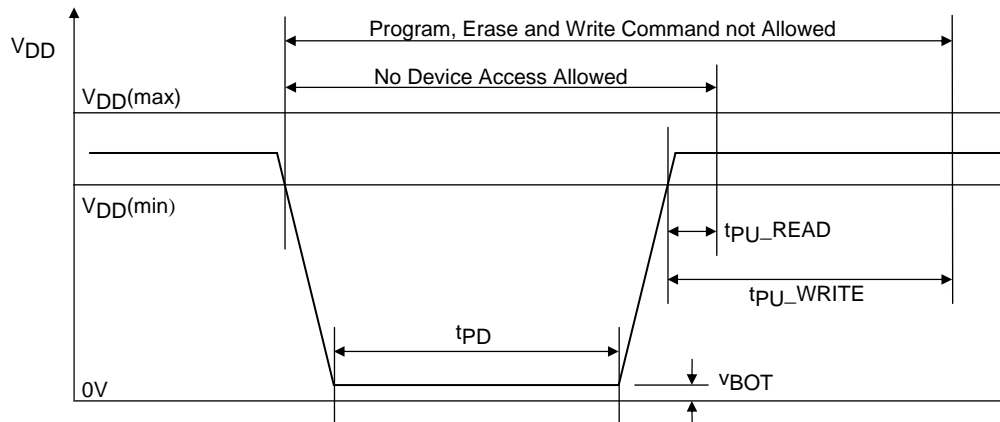
Figure 18 Write Protection



LE25FW203A

In order to protect against unintentional writing at power-on, the LE25FW203A incorporates a power-on reset function. The following conditions must be met in order to ensure that the power reset circuit will operate stably. No guarantees are given for data in the event of an instantaneous power failure occurring during the writing period.

Figure 19 Power-down Timing



14. Software Data Protection

The LE25FW203A eliminates the possibility of unintentional operations by not recognizing commands under the following conditions.

- When a write command is input and the rising \overline{CS} edge timing is not in a bus cycle (8 CLK units of SCK)
- When the page program and page write data is not in 1-byte increments

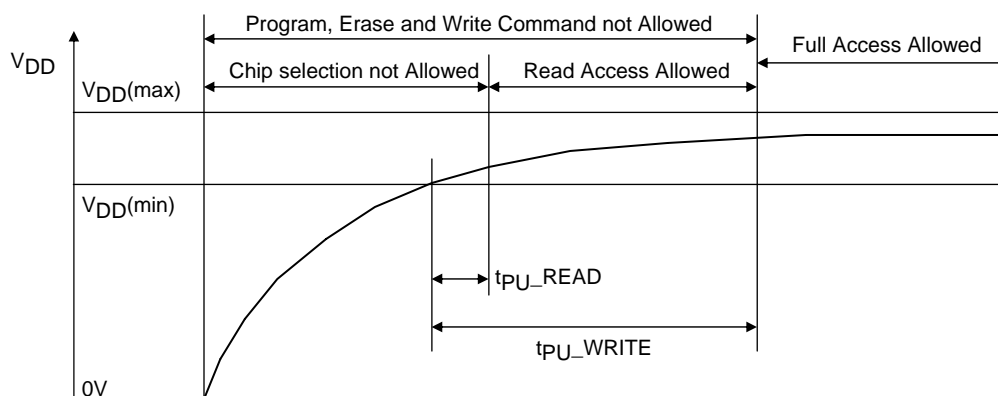
15. Power On

V_{DD} is applied to \overline{CS} at power on to prevent unintentional write operations.

To start read operations, turn the power on and input a command 100 μ s (t_{PU_READ}) after the power supply voltage has reached 2.7V or higher and has been stabilized.

In addition, to start write operations, turn the power on and input a command 10ms (t_{PU_WRITE}) after power supply voltage has reached 2.7V or higher and has been stabilized.

Figure 20 Power On Timing



16. Decoupling Capacitor

A 0.1 μ F ceramic capacitor must be provided to each device and connected between V_{DD} and V_{SS} in order to ensure that the device will operate stably.

LE25FW203A

Specifications

Absolute Maximum Ratings

Parameter	Symbol	Conditions	Ratings	unit
Maximum supply voltage		With respect to V_{SS}	-0.5 to +4.6	V
DC voltage (all pins)		With respect to V_{SS}	-0.5 to $V_{DD}+0.5$	V
Storage temperature	Tstg		-55 to +150	°C

Operating Conditions

Parameter	Symbol	Conditions	Ratings	unit
Operating supply voltage			2.7 to 3.6	V
Operating ambient temperature			0 to 70	°C

Allowable DC Operating Conditions

Parameter	Symbol	Conditions	Ratings			unit
			min	typ	max	
Read mode operating current	I_{CCR}	$\overline{CS}=0.1V_{DD}$, $\overline{RESET}=\overline{WP}=0.9V_{DD}$ $SI=0.1V_{DD}/0.9V_{DD}$, $SO=open$, Operating frequency=30MHz, $V_{DD}=V_{DD\ max}$			6	mA
Write mode operating current	I_{CCW}	$V_{DD}=V_{DD\ max}$			15	mA
CMOS standby current	I_{SB}	$\overline{CS}=\overline{RESET}=\overline{WP}=V_{DD}$, $SI=V_{SS}/V_{DD}$, $SO=open$, $V_{DD}=V_{DD\ max}$			10	μA
Input leakage current	I_{LI}	$V_{IN}=V_{SS}$ to V_{DD} , $V_{DD}=V_{DD\ max}$			2	μA
Output leakage current	I_{LO}	$V_{IN}=V_{SS}$ to V_{DD} , $V_{DD}=V_{DD\ max}$			2	μA
Input low voltage	V_{IL}	$V_{DD}=V_{DD\ max}$	-0.3		$0.3V_{DD}$	V
Input high voltage	V_{IH}	$V_{DD}=V_{DD\ min}$	$0.7V_{DD}$		$V_{DD}+0.3$	V
Output low voltage	V_{OL}	$I_{OL}=100\mu A$, $V_{DD}=V_{DD\ min}$			0.2	V
		$I_{OL}=1.6mA$, $V_{DD}=V_{DD\ min}$			0.4	
Output high voltage	V_{OH}	$I_{OH}=-100\mu A$, $V_{DD}=V_{DD\ min}$	$V_{DD}-0.2$			V

Power-on Timing

Parameter	Symbol	Ratings		unit
		min	max	
Time from power-on to read operation	t_{PU_READ}	100		μs
Time from power-on to write operation	t_{PU_WRITE}	10		ms
Power-down time	t_{PD}	10		ms
Power-down voltage	V_{BOT}		0.2	V

Pin Capacitance at $T_a=25^\circ C$, $f=1MHz$

Parameter	Symbol	Conditions	max	unit
Output pin capacitance	C_{DQ}	$V_{DQ}=0V$	12	pF
Input pin Capacitance	C_{IN}	$V_{IN}=0V$	6	pF

Note: These parameter values do not represent the results of measurements undertaken for all devices but rather values for some of the sampled devices.

LE25FW203A

AC Characteristics

Parameter	Symbol	Ratings			unit	
		min	typ	max		
Clock frequency	f _{CLK}			30	MHz	
Input signal rising/falling time	t _{RF}			20	ns	
\overline{CS} setup time	t _{CSS}	10			ns	
\overline{CS} hold time	t _{CSH}	10			ns	
\overline{CS} wait pulse width	t _{CPH}	25			ns	
Output high impedance time from \overline{CS}	t _{CHZ}			15	ns	
Data setup time	t _{DS}	5			ns	
Data hold time	t _{DH}	5			ns	
SCK setup time	t _{CLS}	10			ns	
SCK hold time	t _{CLH}	10			ns	
SCK logic high level pulse width	t _{CLHI}	16			ns	
SCK logic low level pulse width	t _{CLLO}	16			ns	
Output low impedance time from SCK	t _{CLZ}	0			ns	
Output data time from SCK	t _V		8	15	ns	
Output data hold time	t _{HO}	0			ns	
Page erase cycle time	Number of rewrite times: 10 ⁴ times or less	t _{PE}		10	20	ms
	Number of rewrite times: 10 ⁵ times or less			25	300	ms
Sector erase cycle time	t _{SE}		30	500	ms	
Chip erase cycle time	t _{CHE}		0.2	3	s	
Page programming cycle time (256 bytes)	t _{PP}		1.5			
Page programming cycle time (n bytes)			0.04+ n*1.46/256	2.5	ms	
Page write cycle time	Number of rewrite times: 10 ⁴ times or less	t _{PW}		11	22.5	ms
	Number of rewrite times: 10 ⁵ times or less			25	300	ms
\overline{WP} setup time	t _{WPS}	50			ns	
\overline{WP} hold time	t _{WPH}	50			ns	
Reset setup time	t _{RES}	10			ns	
Reset pulse width	t _{RP}	100			ns	
Hardware reset recovery time	t _{HRB}	1			μs	
Power-down recovery time	t _{PRB}	25			ns	

AC Test Conditions

Input pulse level..... 0V, 3.0V

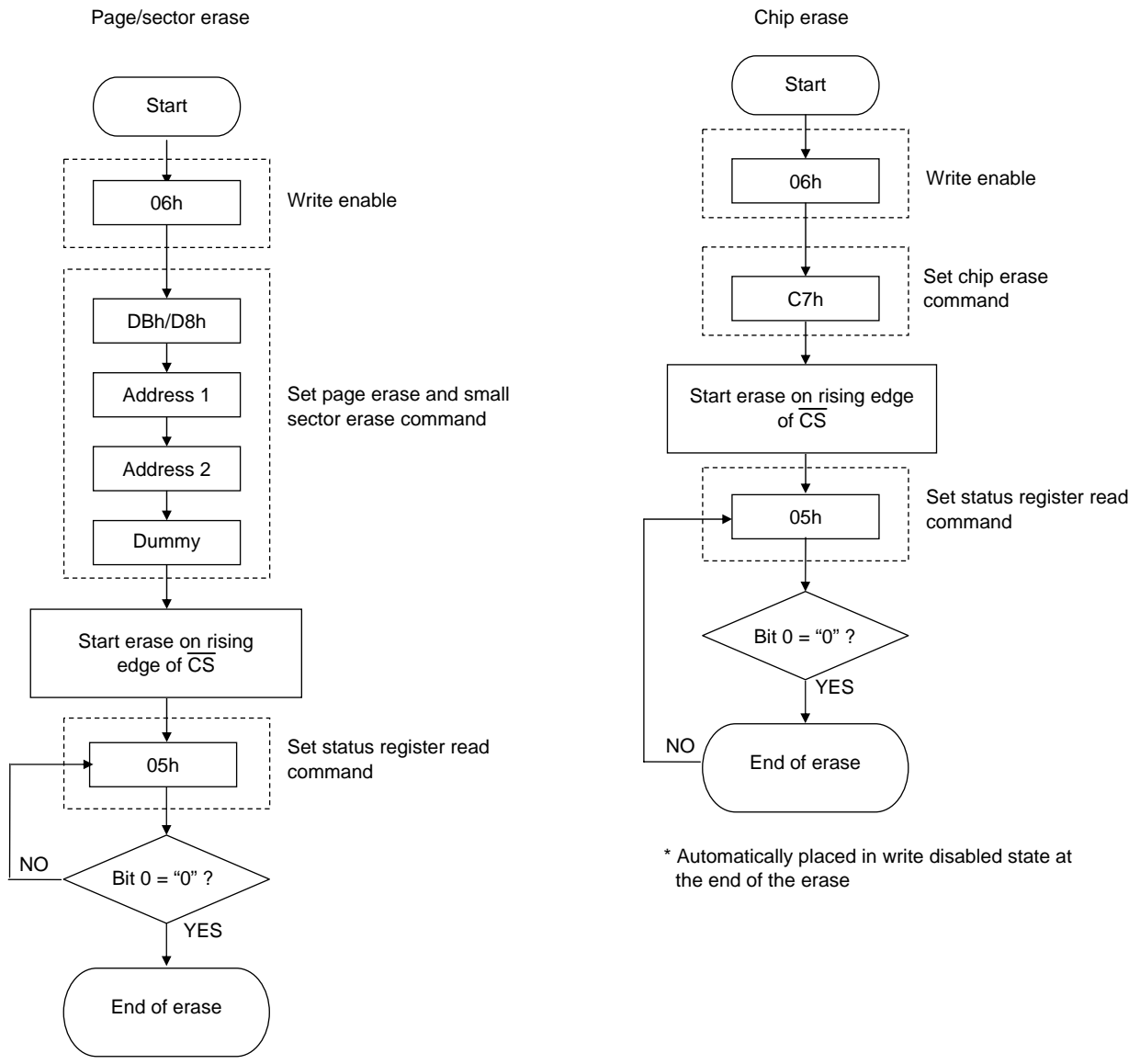
Input rising/falling time..... 5ns

Input/Output timing level High data: 2.0V, Low data: 0.8V

Output load 30pF

Note: As the test conditions for "typ", the measurements are conducted using 3.0V for V_{DD} at room temperature.

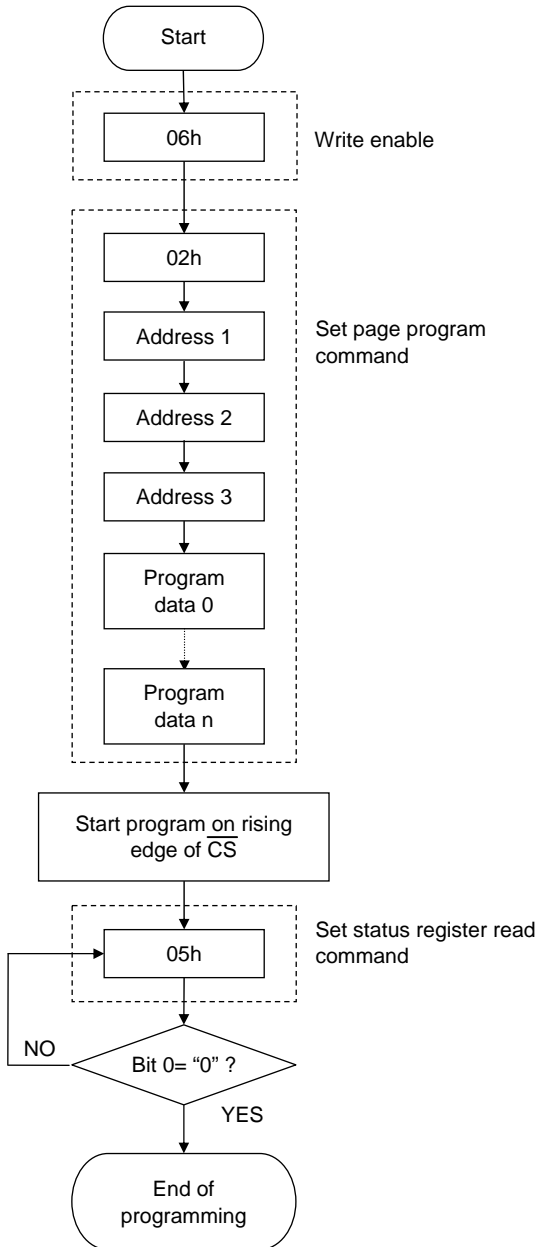
Figure 21 Erase Flowchart



* Automatically placed in write disabled state at the end of the erase

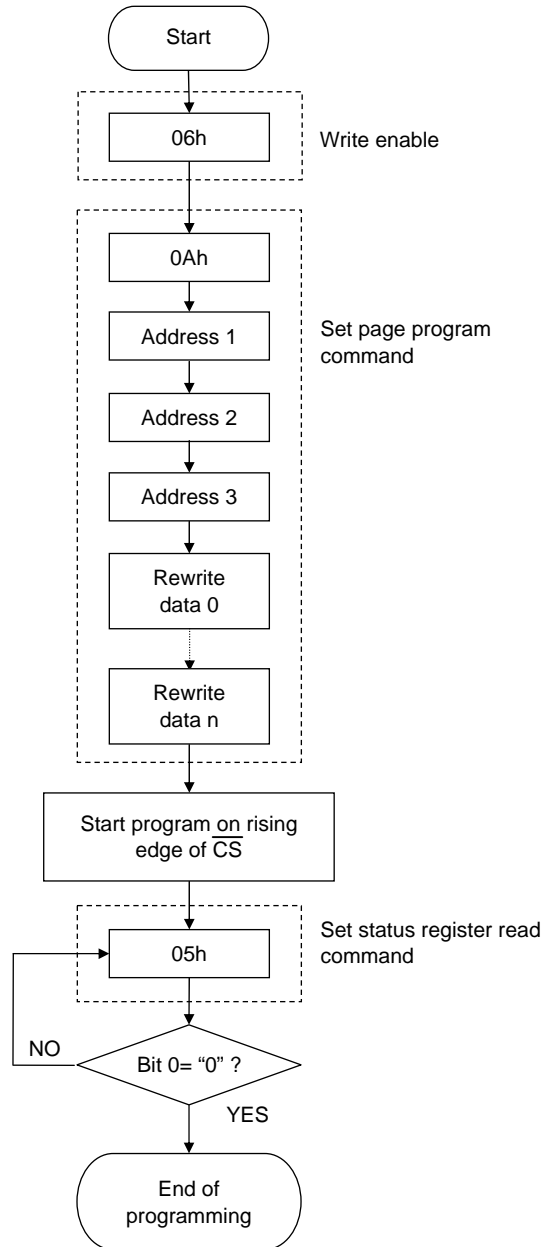
* Automatically placed in write disabled state at the end of the erase

Figure 22 Program Flowchart



* Automatically placed in write disabled state at the end of the programming operation.

Figure 23 Page Write Flowchart



* Automatically placed in write disabled state at the end of the programming operation.

- SANYO Semiconductor Co.,Ltd. assumes no responsibility for equipment failures that result from using products at values that exceed, even momentarily, rated values (such as maximum ratings, operating condition ranges, or other parameters) listed in products specifications of any and all SANYO Semiconductor Co.,Ltd. products described or contained herein.
- SANYO Semiconductor Co.,Ltd. strives to supply high-quality high-reliability products, however, any and all semiconductor products fail or malfunction with some probability. It is possible that these probabilistic failures or malfunction could give rise to accidents or events that could endanger human lives, trouble that could give rise to smoke or fire, or accidents that could cause damage to other property. When designing equipment, adopt safety measures so that these kinds of accidents or events cannot occur. Such measures include but are not limited to protective circuits and error prevention circuits for safe design, redundant design, and structural design.
- In the event that any or all SANYO Semiconductor Co.,Ltd. products described or contained herein are controlled under any of applicable local export control laws and regulations, such products may require the export license from the authorities concerned in accordance with the above law.
- No part of this publication may be reproduced or transmitted in any form or by any means, electronic or mechanical, including photocopying and recording, or any information storage or retrieval system, or otherwise, without the prior written consent of SANYO Semiconductor Co.,Ltd.
- Any and all information described or contained herein are subject to change without notice due to product/technology improvement, etc. When designing equipment, refer to the "Delivery Specification" for the SANYO Semiconductor Co.,Ltd. product that you intend to use.
- Information (including circuit diagrams and circuit parameters) herein is for example only; it is not guaranteed for volume production.
- Upon using the technical information or products described herein, neither warranty nor license shall be granted with regard to intellectual property rights or any other rights of SANYO Semiconductor Co.,Ltd. or any third party. SANYO Semiconductor Co.,Ltd. shall not be liable for any claim or suits with regard to a third party's intellectual property rights which has resulted from the use of the technical information and products mentioned above.

This catalog provides information as of July, 2008. Specifications and information herein are subject to change without notice.